

Series	Dimensions (mm)
HH-003	50 x 35 x 15
HH-004	50 x 35 x 20
HH-008	35 x 70 x 15
HH-009	35 x 70 x 23
HH-010	66 x 41 x 16
HH-012	54 x 84 x 32
HH-013	45 x 72.5 x 15
HH-014	45 x 72.5 x 23
HH-020	58 x 92 x 27
HH-026	100 x 68 x 22
HH-028	68 x 115 x 22
HH-030	61x 75 x 33
HH-035	143x 76 x 32
HH-040	175 x 115 x 44
HH-042	69.5x 50.5 x 21

Series	Dimensions (mm)
HH-044	88.5 x 63 x 27.5
HH-045	95 x 62 x 22
HH-046	115x 83 x 32
HH-047	116.5 x 104.5 x 32
HH-050	72 x 104 x 26
HH-055	76 x 112 x 26
HH-059	70 x 133.5 x 24
HH-060	75 x 110 x 36
HH-062	75 x 110 x 36
HH-066	100 x 50 x 18
HH-070	76 x 136 x 50
HH-095	105 x 201 x 41
HH-097	160 x 94 x 25
HH-8080	85 x 155 x 30
HH-8082	85 x 155 x 45
HH-8282	85 x 155 x 60

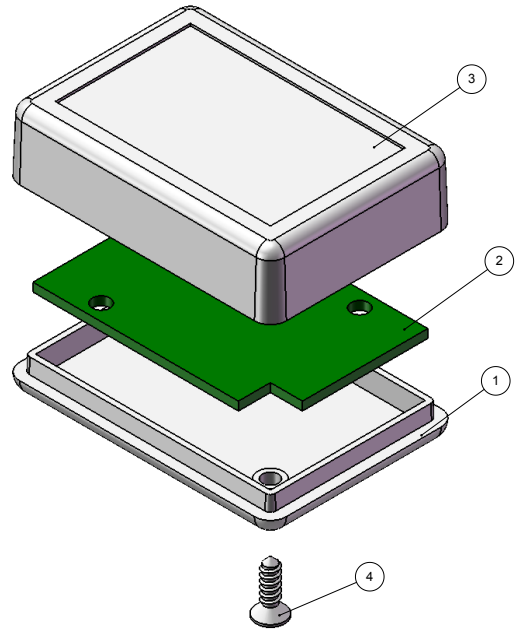
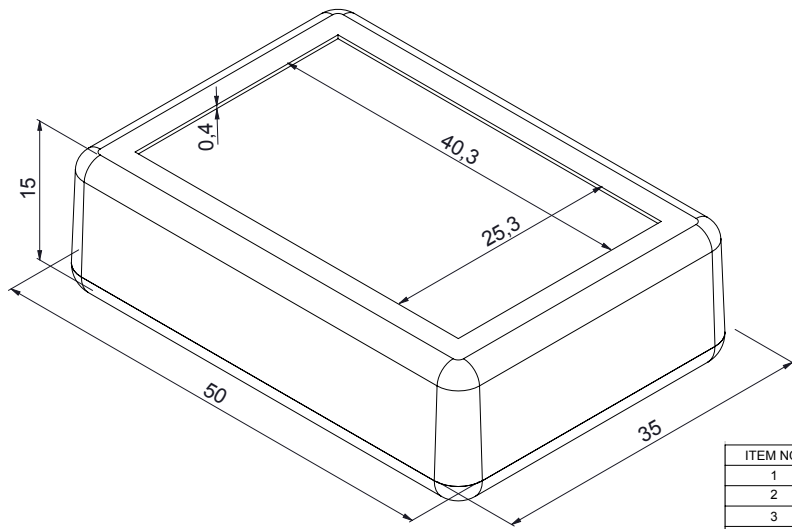


GENERAL INFORMATION

HH-003	
Dimensions (mm)	50 x 35 x 15
Material	ABS
Colours	Light Grey or Black

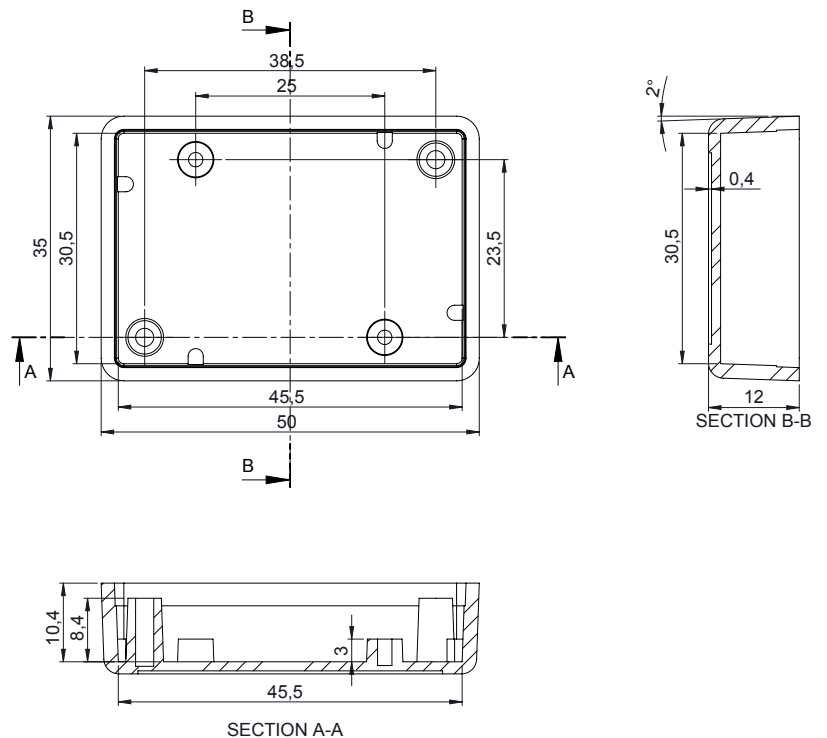
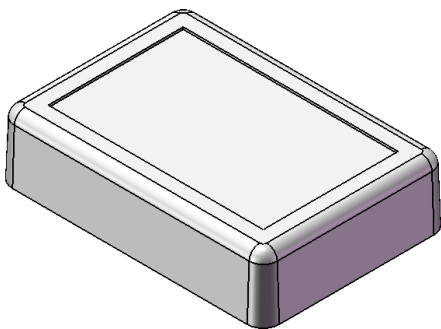
HH-003

DRAWING 1

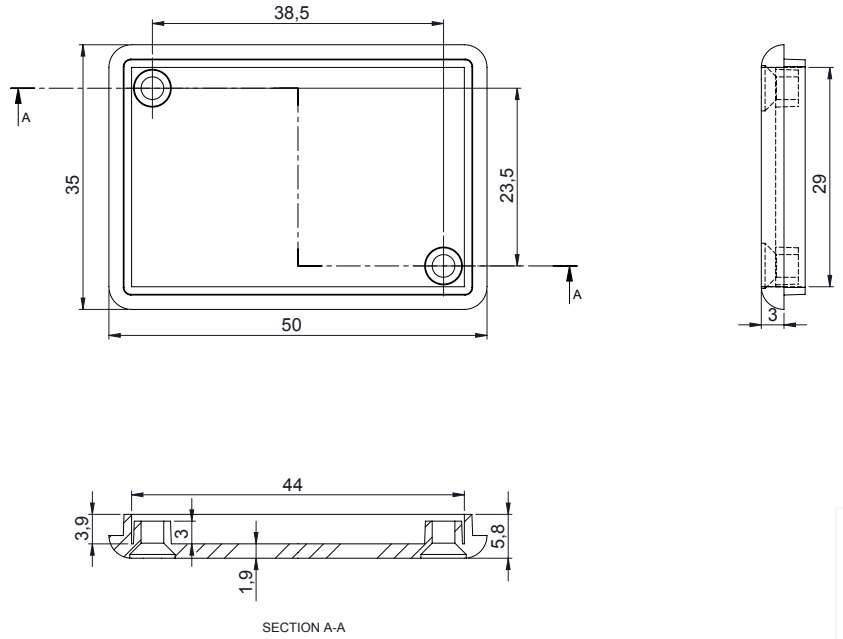
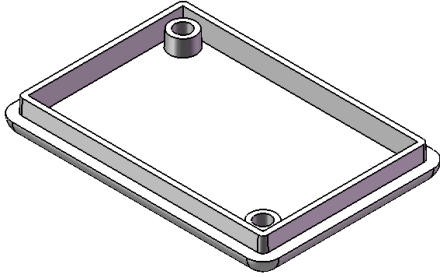


ITEM NO.	PART NUMBER	DESCRIPTION	QTY.
1	HH-003-P-1-11141	Base	1
2	PCB Sample	Not Included	1
3	DM-003-P-2-11137	Cover	1
4	A-635-0-0-M-0-11100	2,9 x 9,5 mm YHB SC Metallic Screw	2

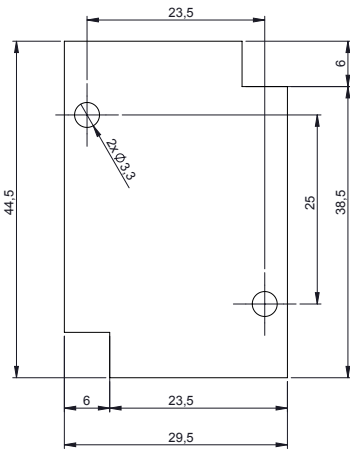
DRAWING 2 - COVER



DRAWING 3 - BASE



DRAWING 4 - PCB DIMENSIONS



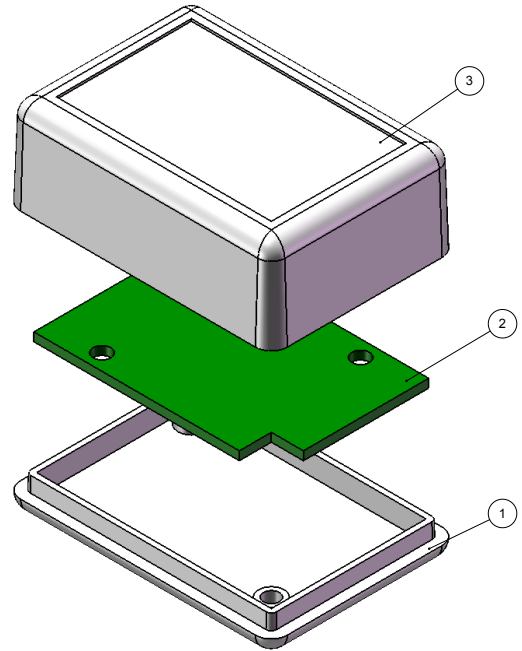
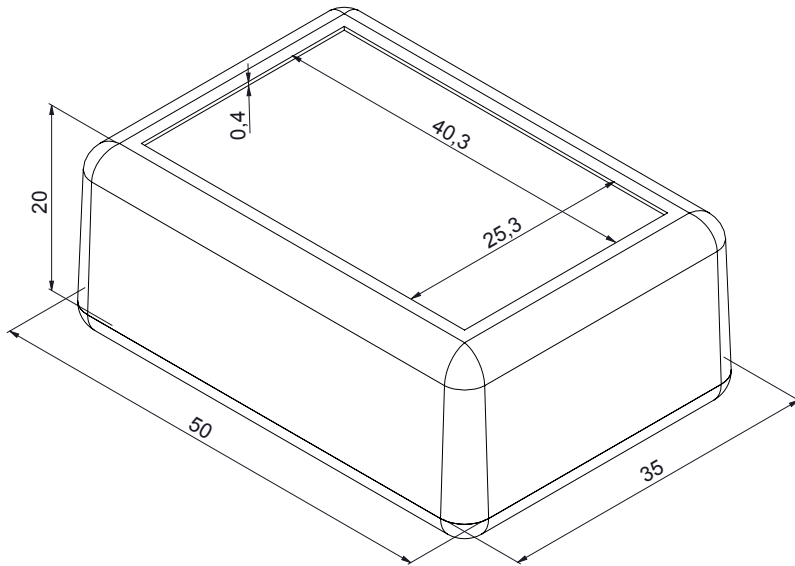


GENERAL INFORMATION

HH-004	
Dimensions (mm)	50 x 35 x 20
Material	ABS
Colours	Light Grey or Black

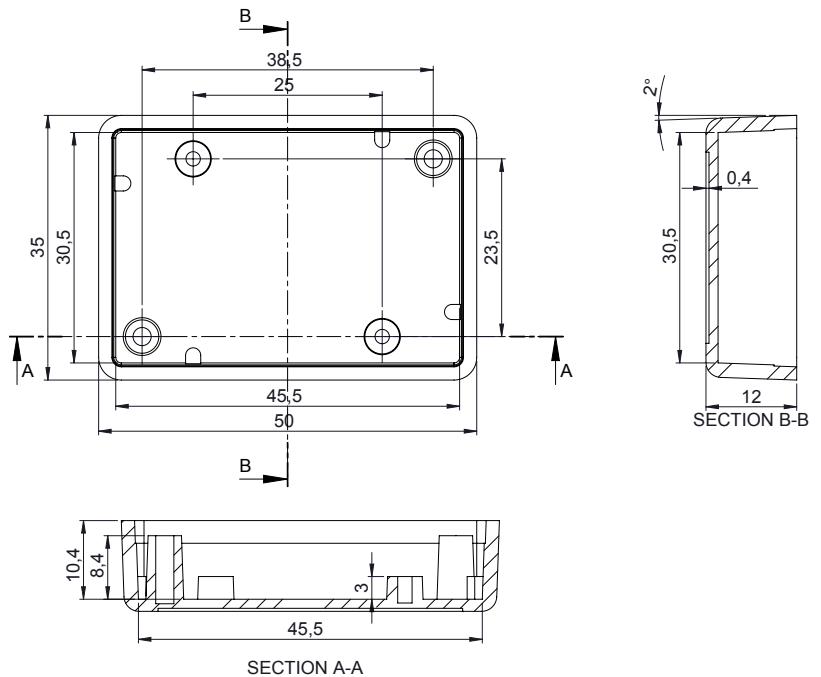
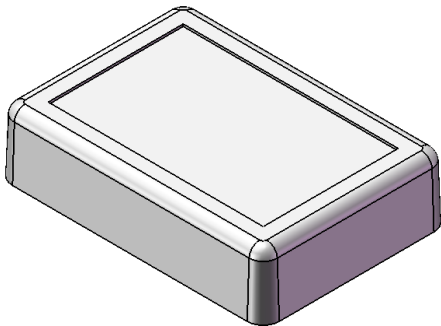
HH-004

DRAWING 1

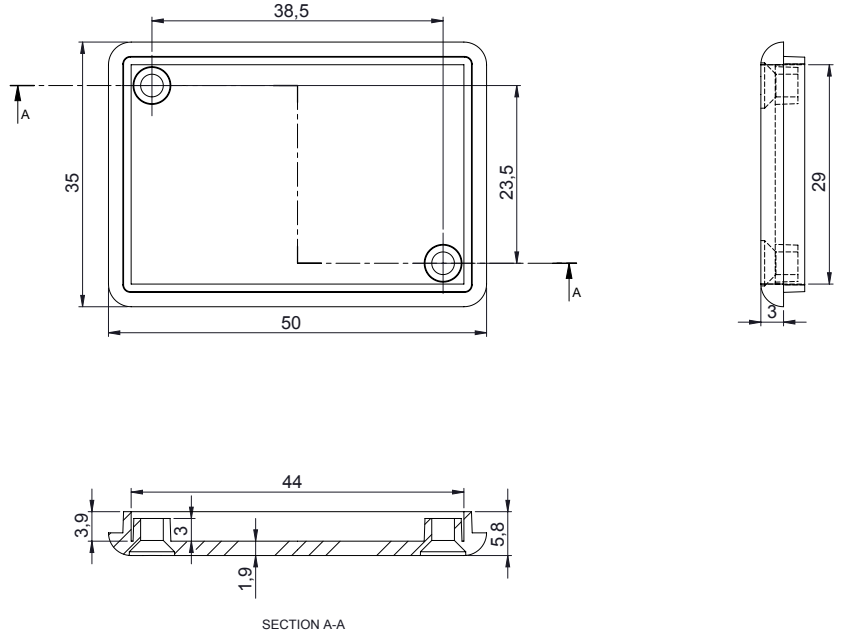
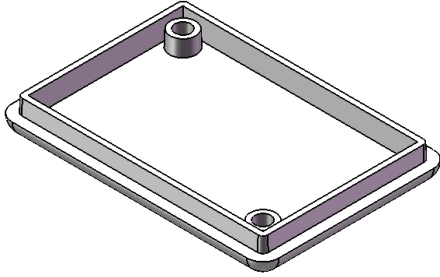


ITEM NO.	PART NUMBER	DESCRIPTION	QTY.
1	HH-003-P-1-11141	Base	1
2	PCB Sample	Not Included	1
3	DM-004-P-1-11138	Cover	1
4	A-635-0-0-M-0-11100	2,9 x 9,5 mm YHB SC Metallic Screw	2

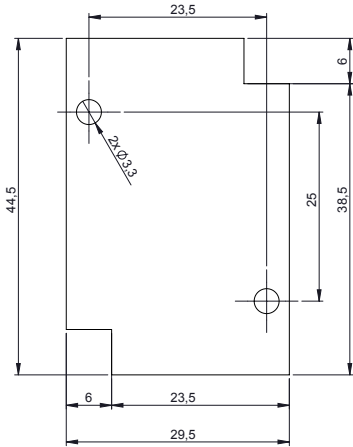
DRAWING 2 - COVER

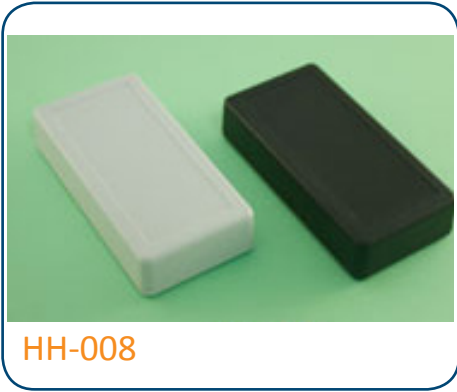


DRAWING 3 - BASE



DRAWING 4 - PCB DIMENSIONS



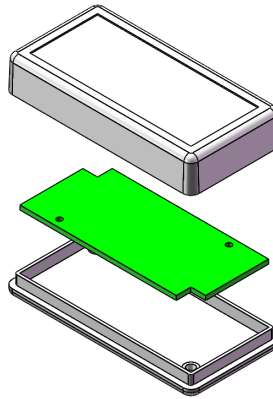
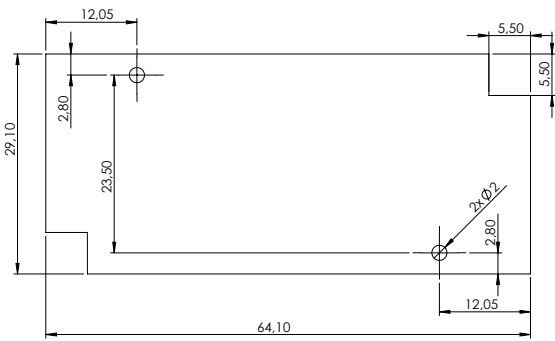


GENERAL INFORMATION

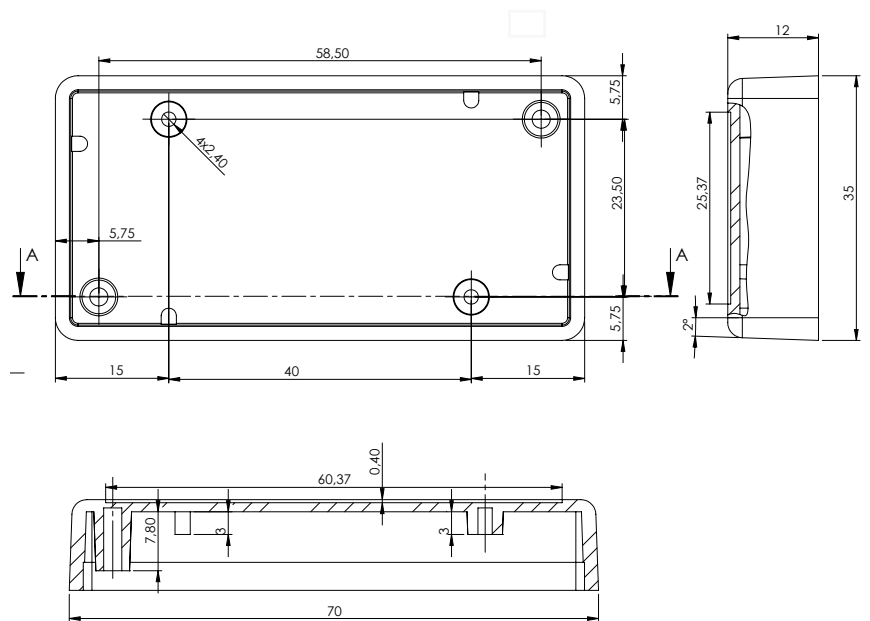
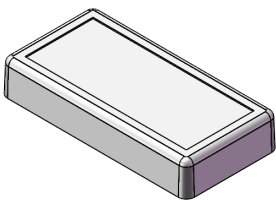
HH-008	
Dimensions (mm)	35 x 70 x 15
Material	ABS
Colours	Light Grey or Black

HH-008

DRAWING 1

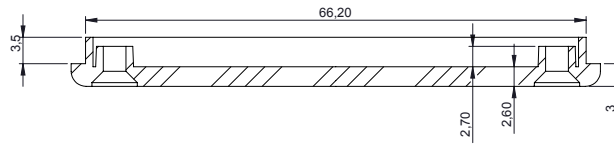
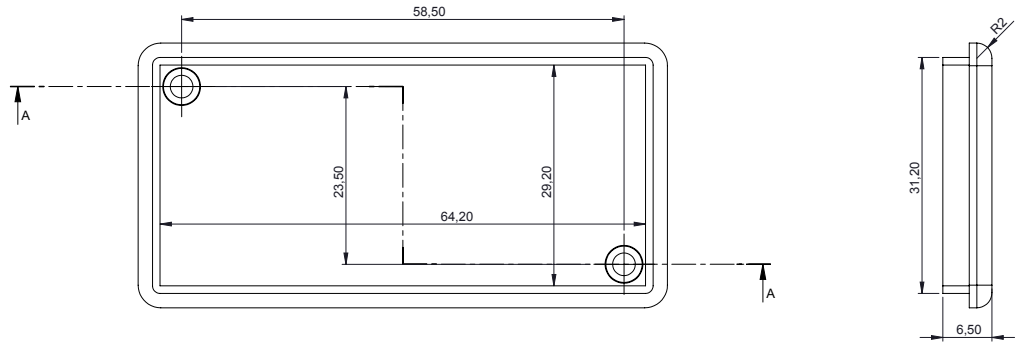
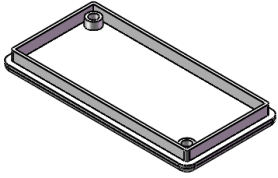


DRAWING 2 - COVER



SECTION A-A
SCALE 2 : 1

DRAWING 3 - BASE



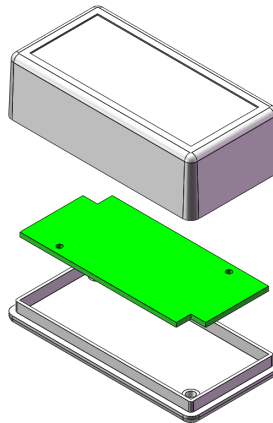
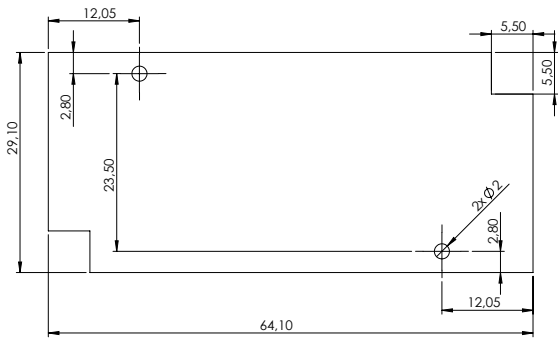


HH-009

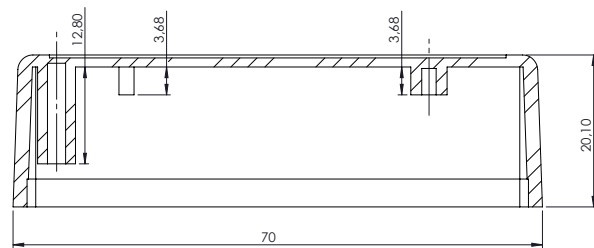
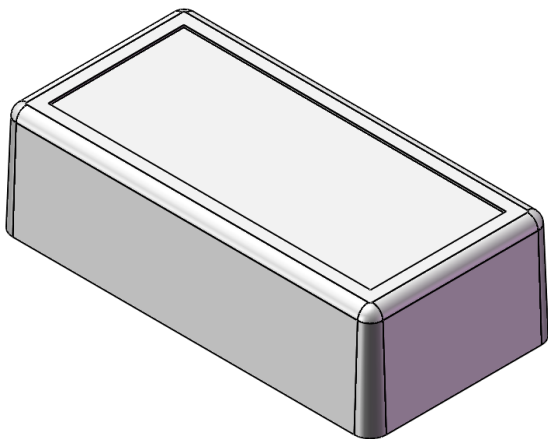
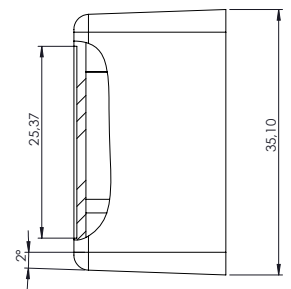
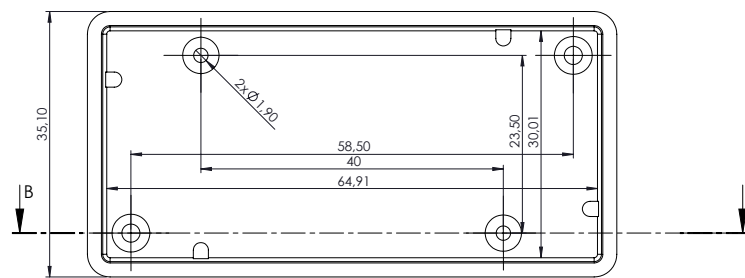
GENERAL INFORMATION

HH-009	
Dimensions (mm)	35 x 70 x 23
Material	ABS
Colours	Light Grey or Black

DRAWING 1

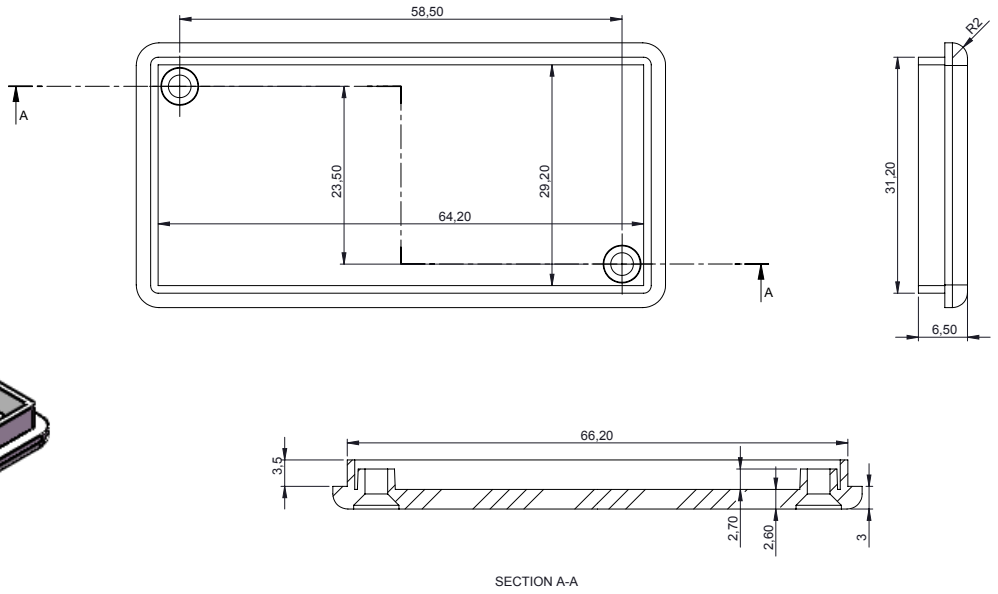
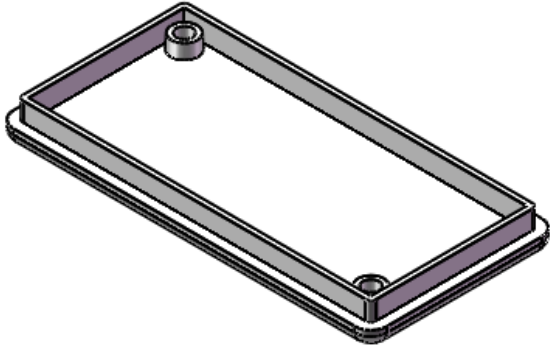


DRAWING 2 - COVER



SECTION B-B

DRAWING 3 - BASE

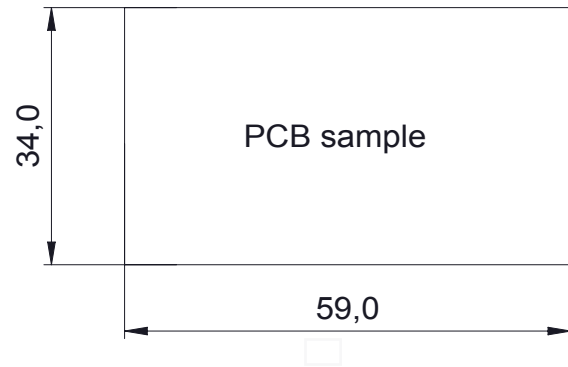
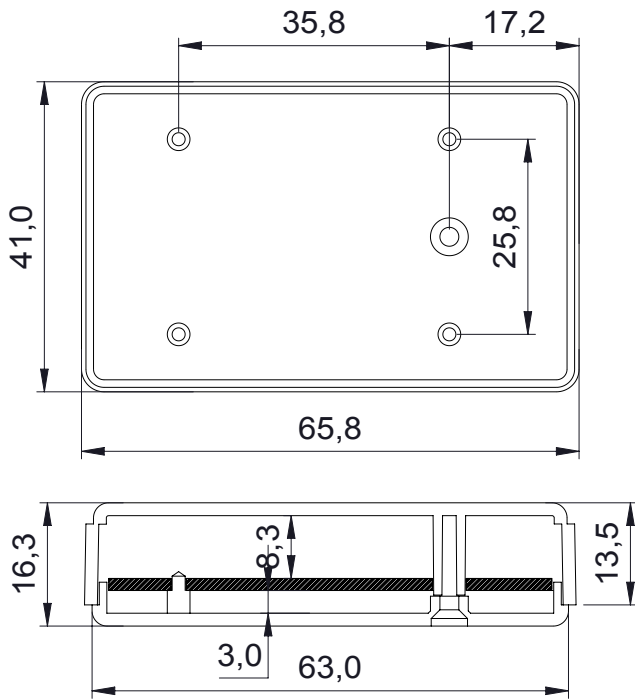




HH-010

HH-010	
Dimensions (mm)	66 x 41 x 16
Material	ABS
Colours	Light Grey or Black

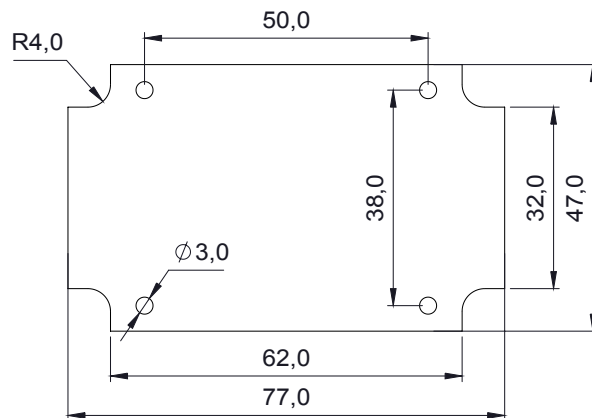
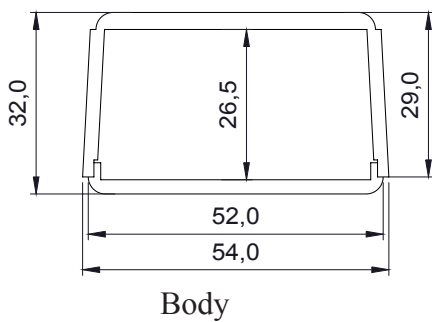
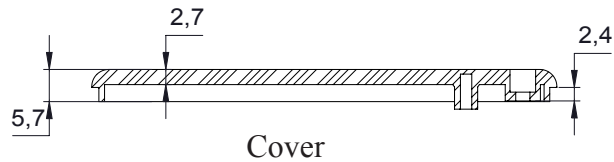
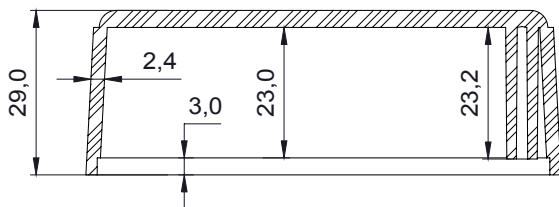
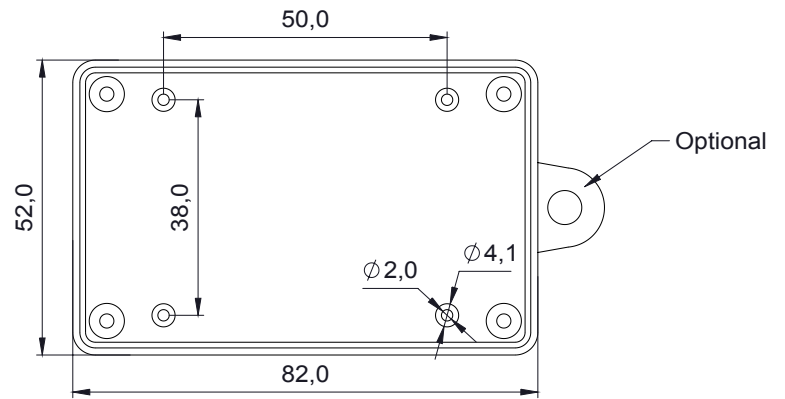
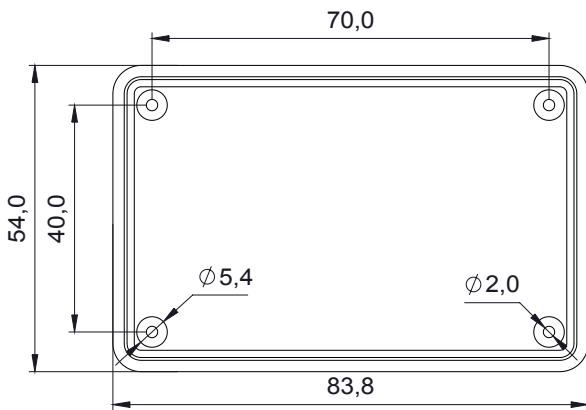
DRAWING 1





HH-012	
Dimensions (mm)	54 x 84 x 32
Material	ABS
Colours	Light Grey or Black

DRAWING 1



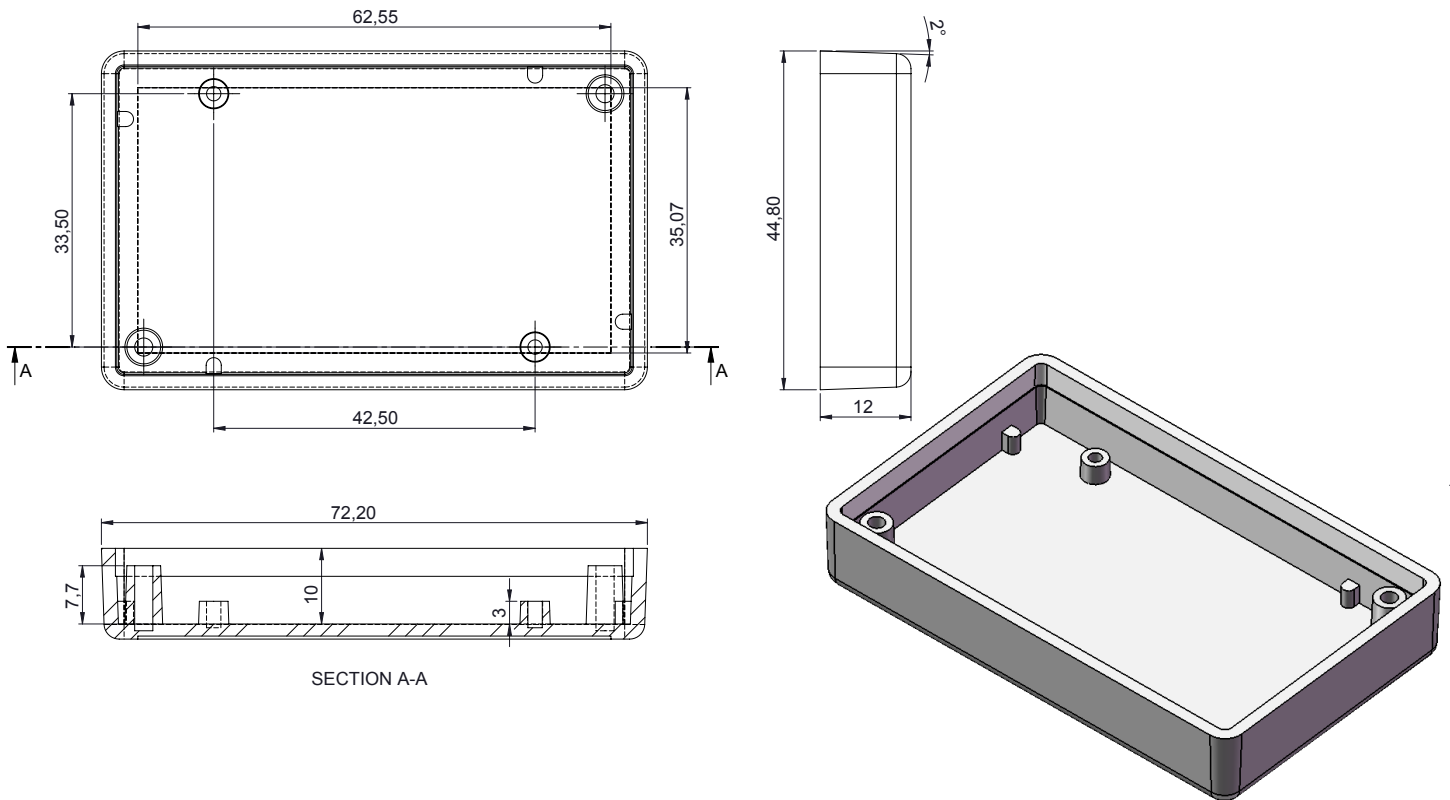
PCB sample



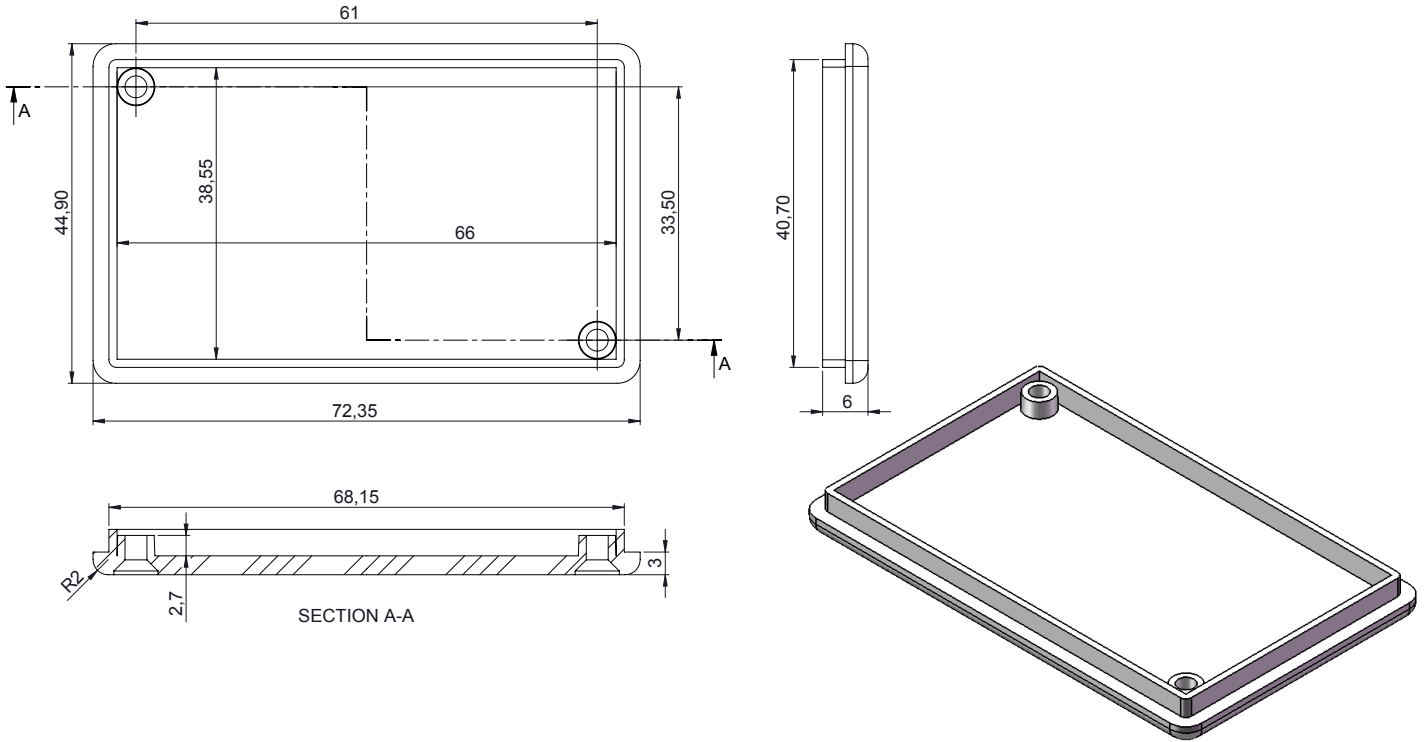
HH-013	
Dimensions (mm)	45 x 72.5 x 15
Material	ABS
Colours	Light Grey or Black

HH-013

DRAWING 1 - BODY



DRAWING 2 - BASE

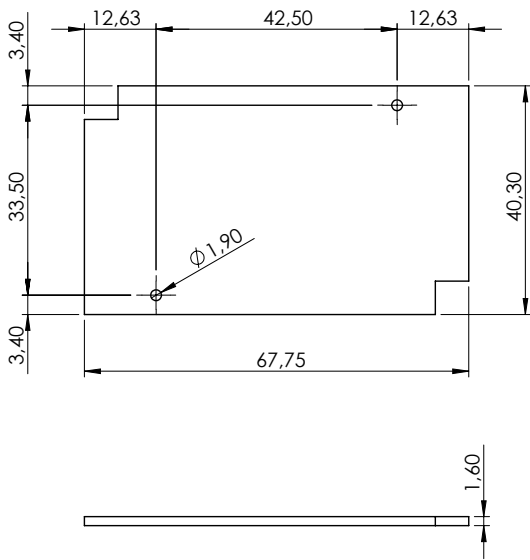




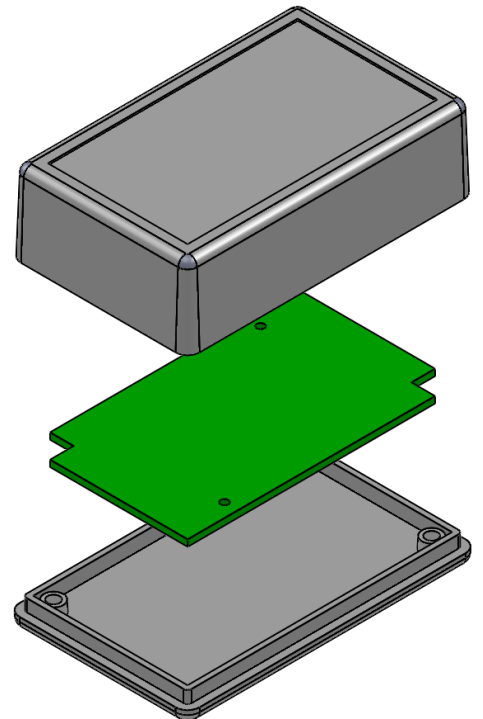
HH-014

HH-014	
Dimensions (mm)	45 x 72.5 x 23
Material	ABS
Colours	Light Grey or Black

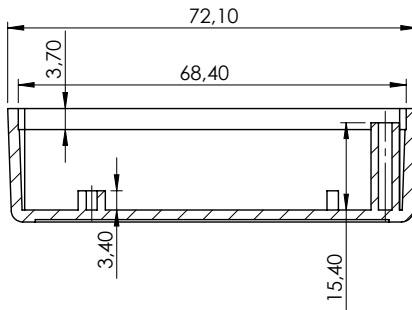
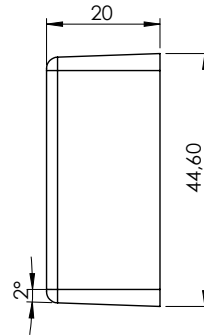
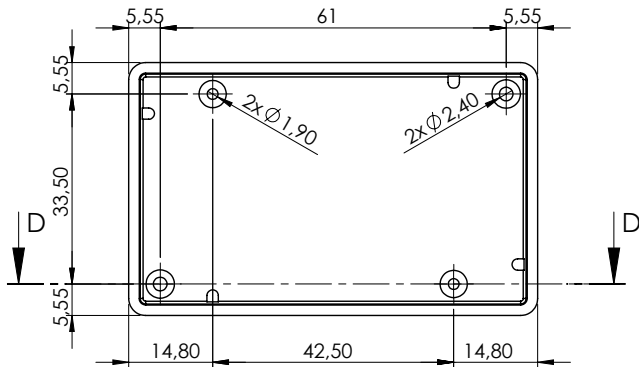
DRAWING 1 - ASSEMBLY



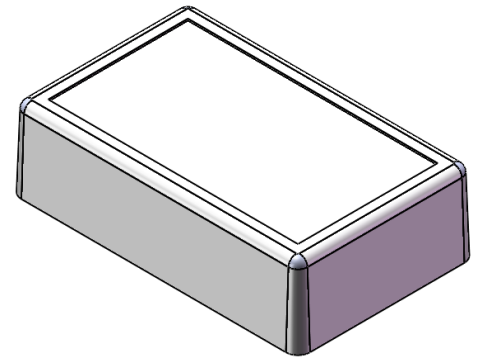
PCB Card



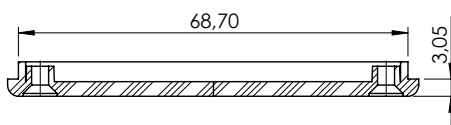
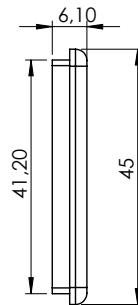
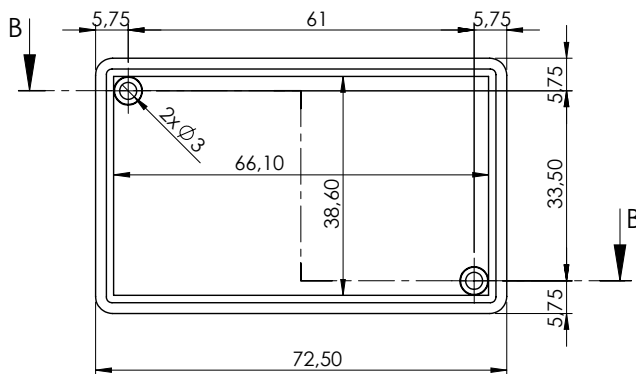
DRAWING 2 - COVER



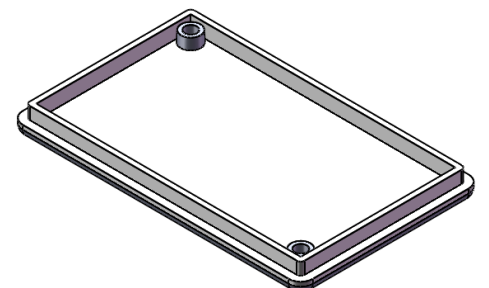
SECTION D-D



DRAWING 3 - BASE



SECTION B-B

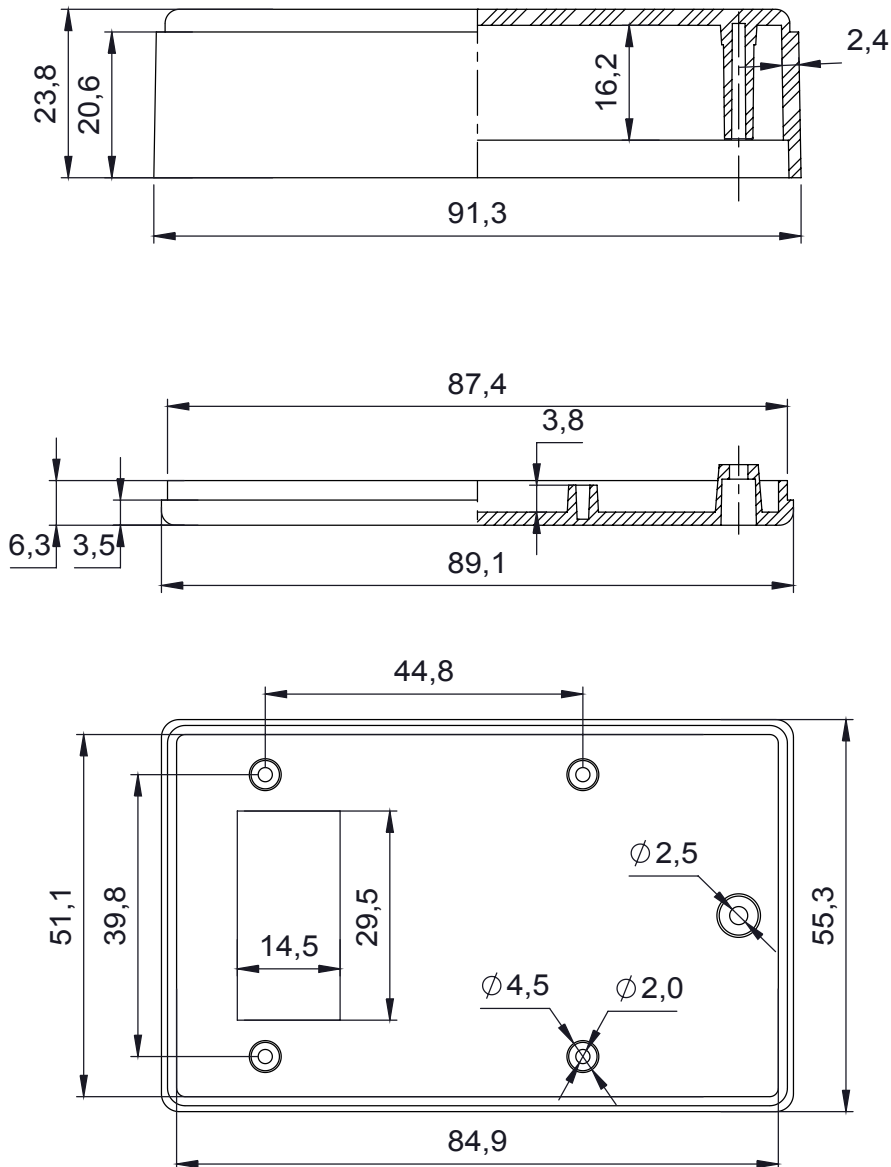




HH-020

HH-020	
Dimensions (mm)	58 x 92 x 27
Material	ABS
Colours	Light Grey or Black

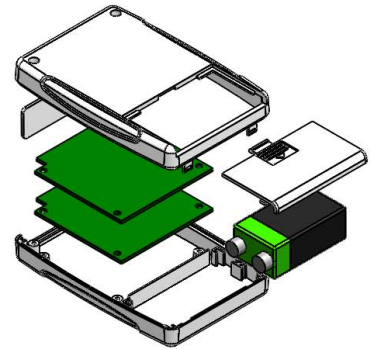
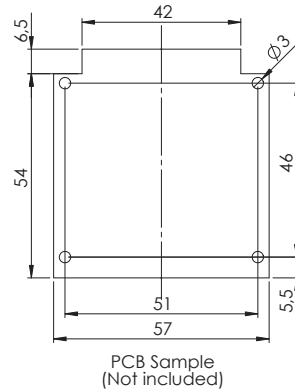
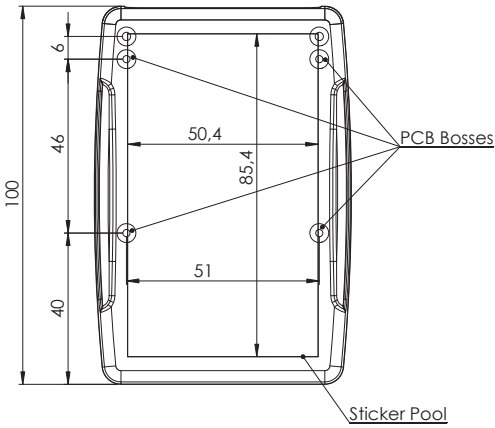
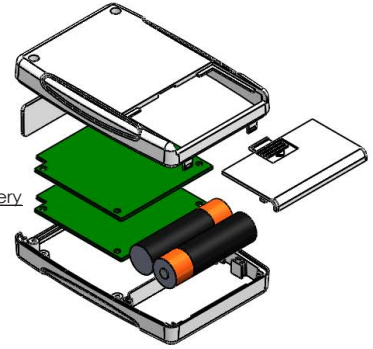
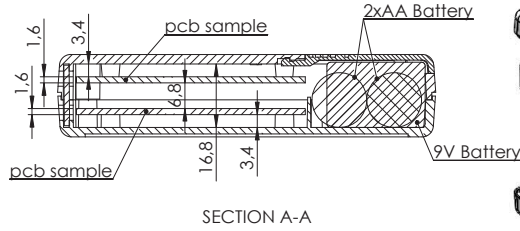
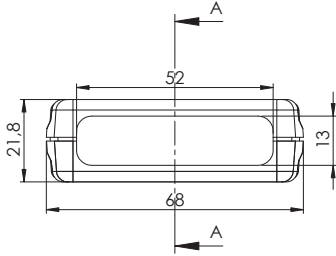
DRAWING 1



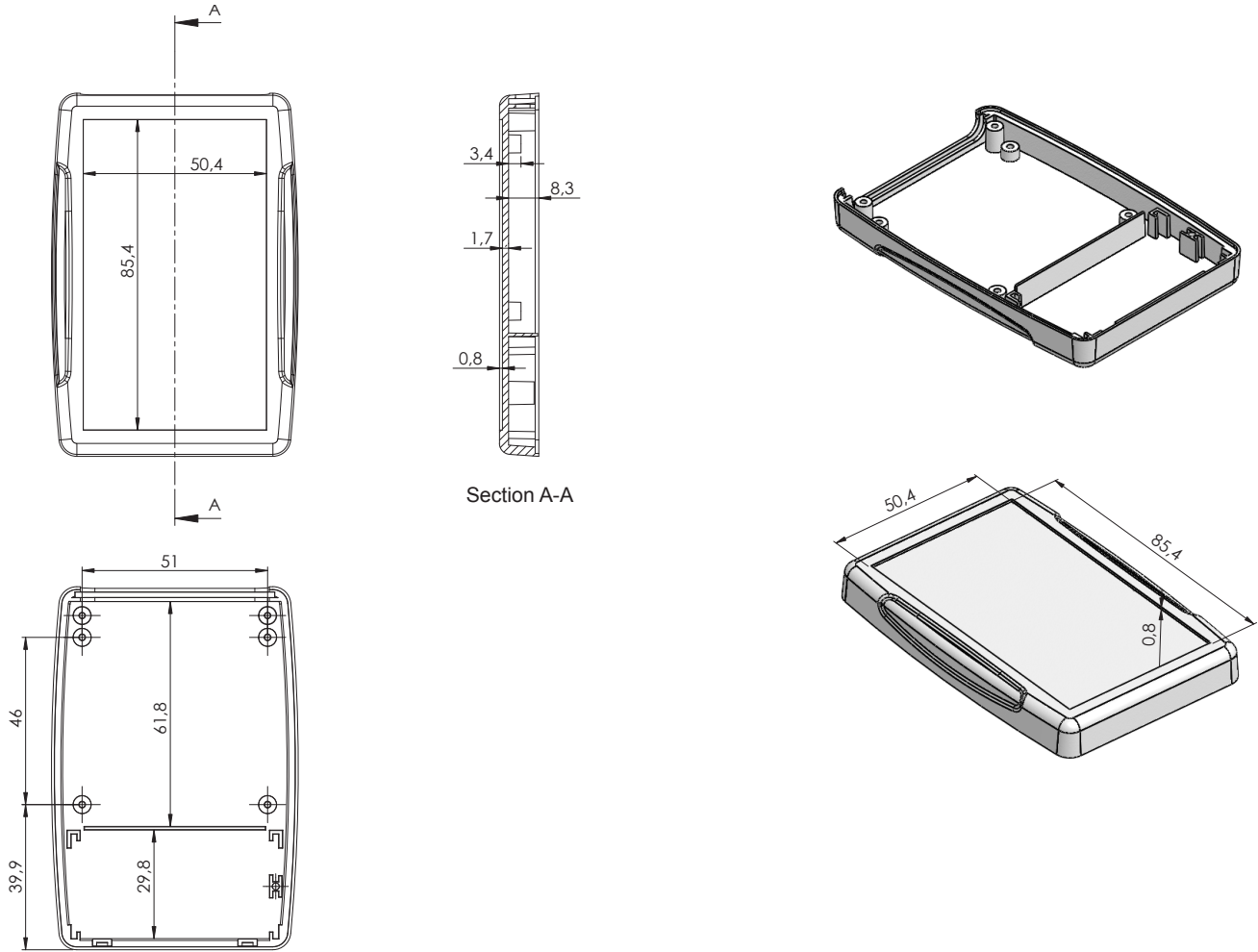


HH-026	
Dimensions (mm)	100 x 68 x 22
Material	ABS
Colours	Light Grey or Black

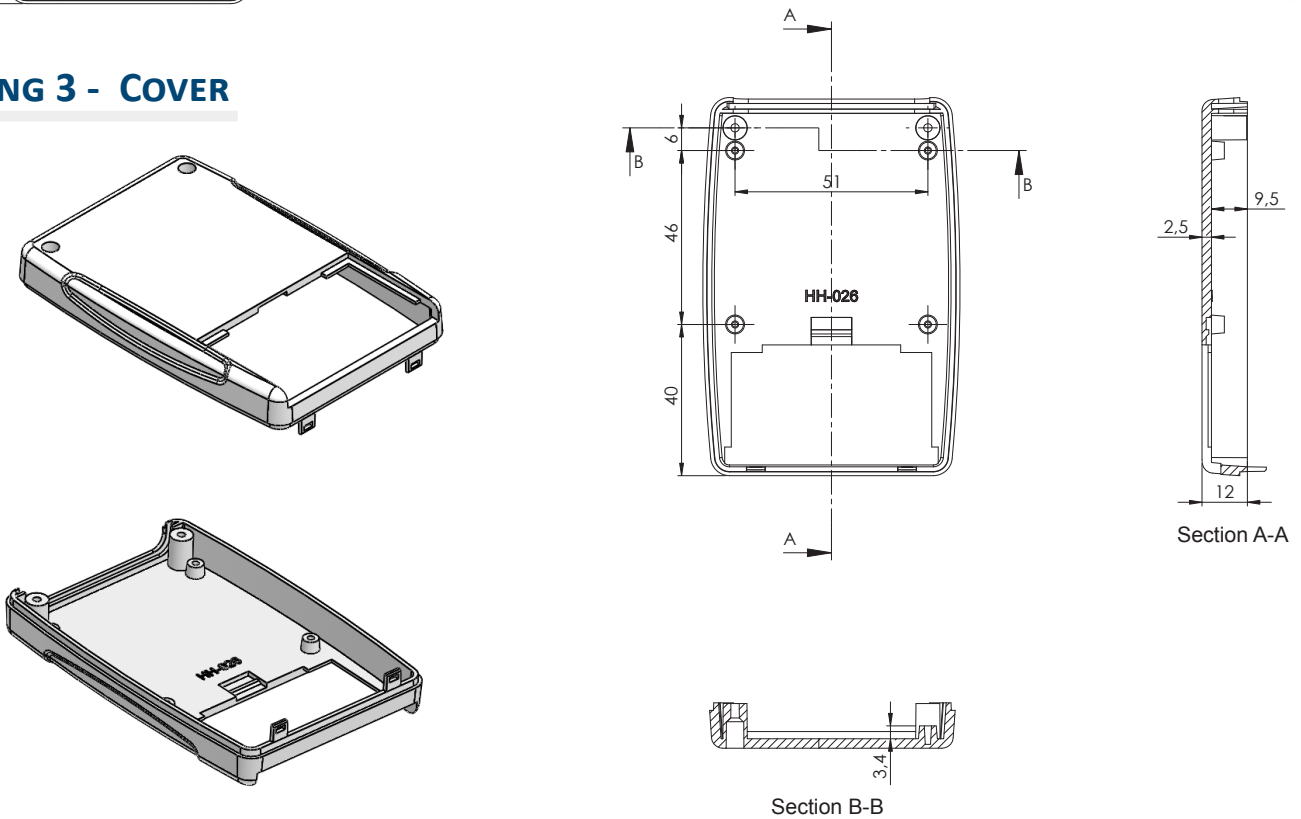
DRAWING 1



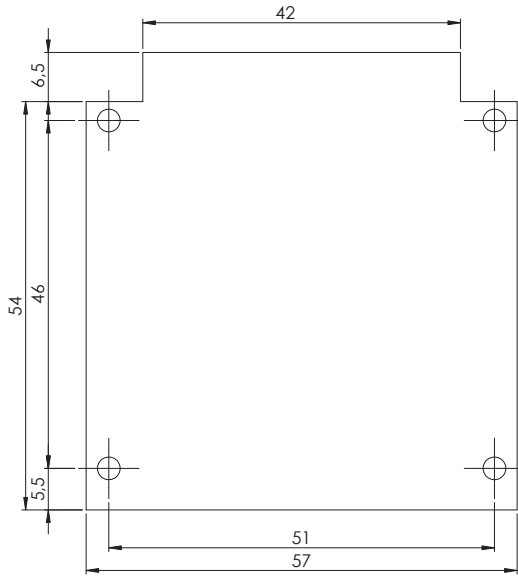
DRAWING 2 - COVER



DRAWING 3 - COVER

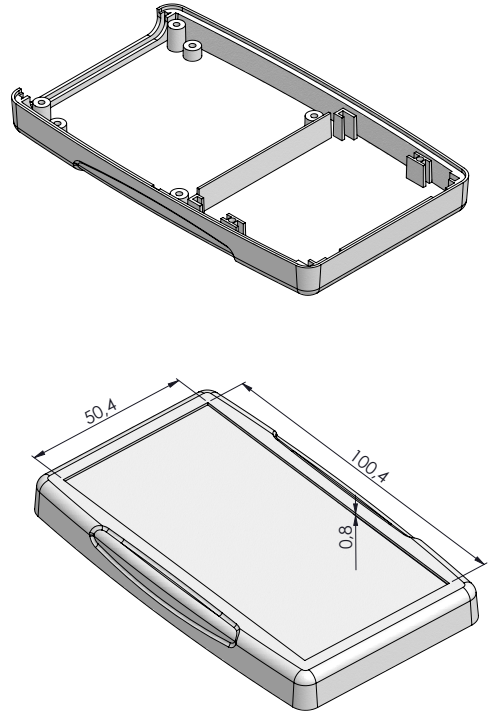
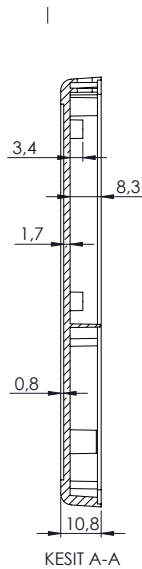
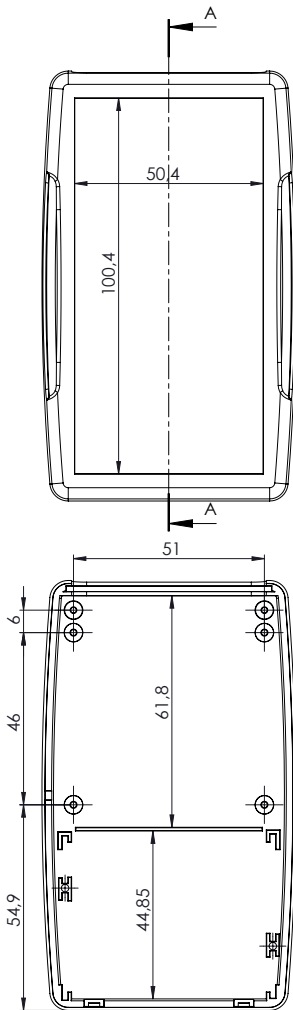
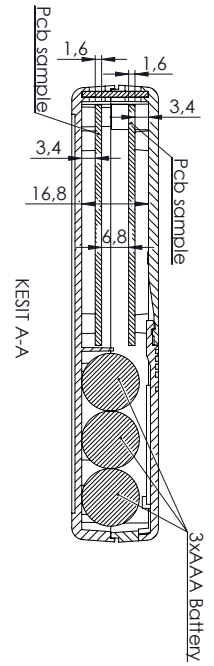
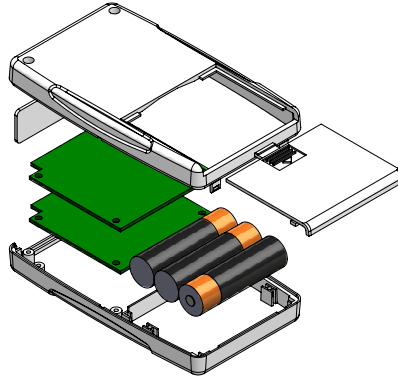


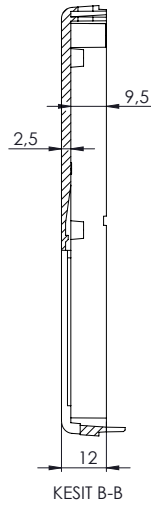
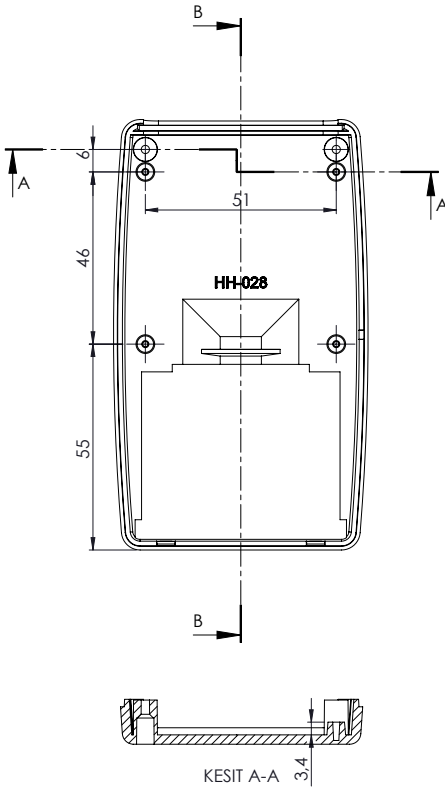
DRAWING 4 - PCB DIMENSIONS



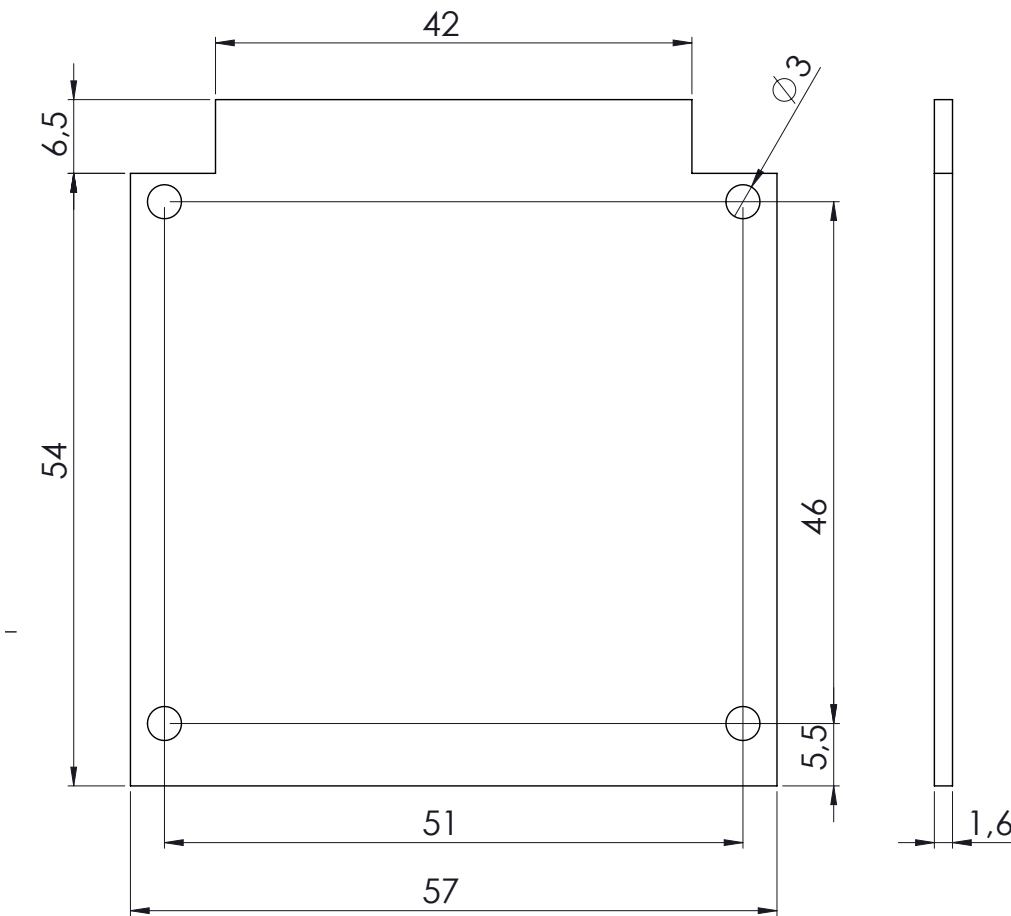
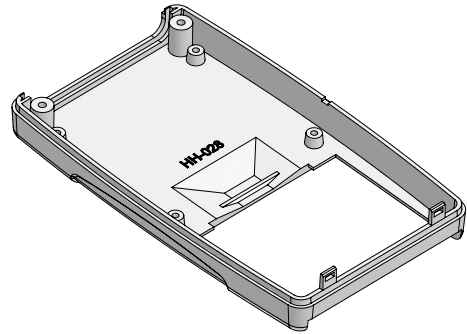
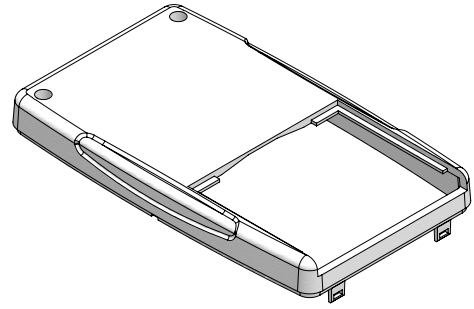


HH-028	
Dimensions (mm)	68x115x22 mm
Colours	Light Grey or Black





KESIT B-B

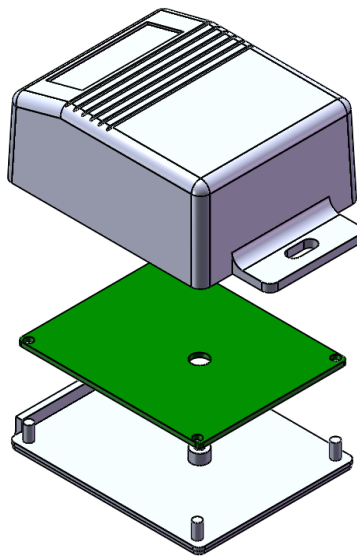




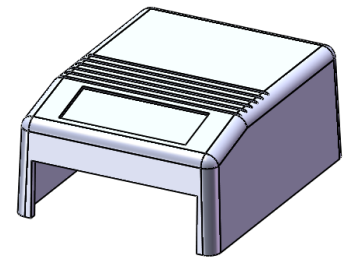
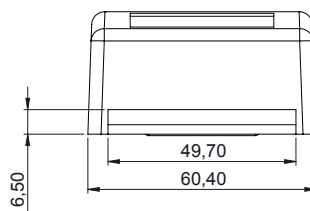
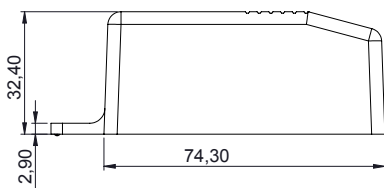
HH-030

HH-030	
Dimensions (mm)	61x 75 x 33
Material	ABS
Colours	Light Grey or Black

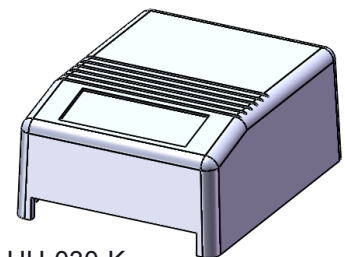
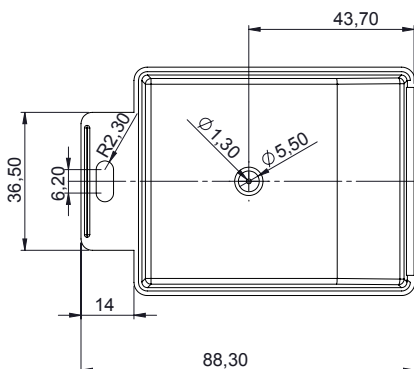
DRAWING 1 - ASSEMBLY



DRAWING 2 - COVER

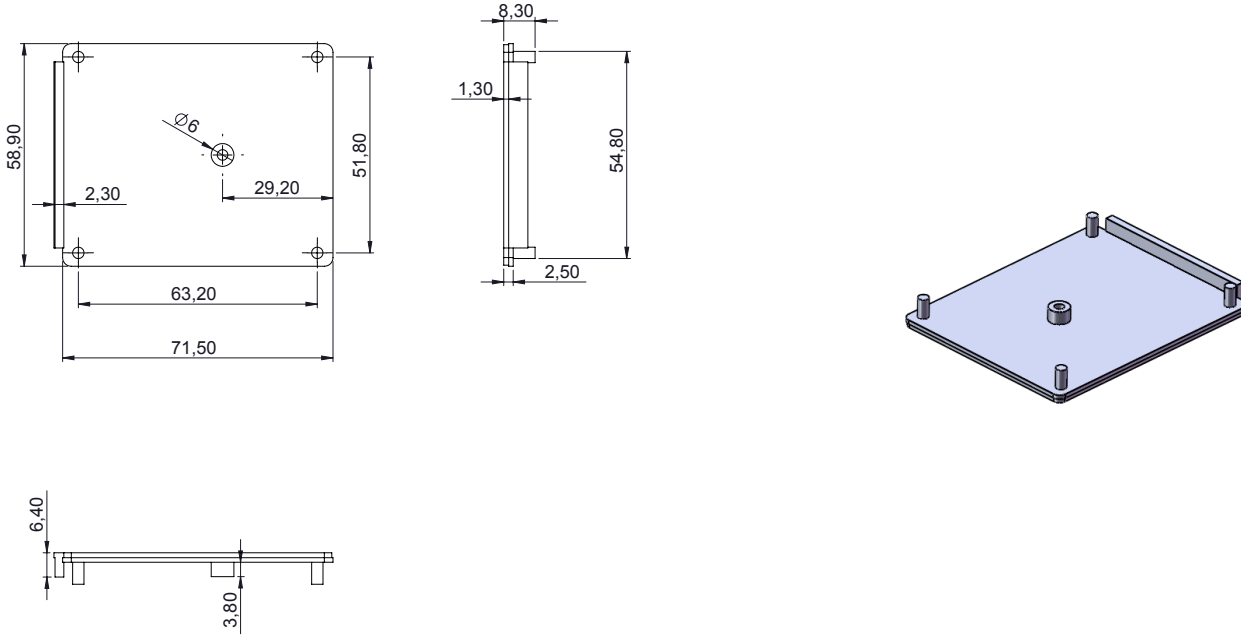


HH-030-A

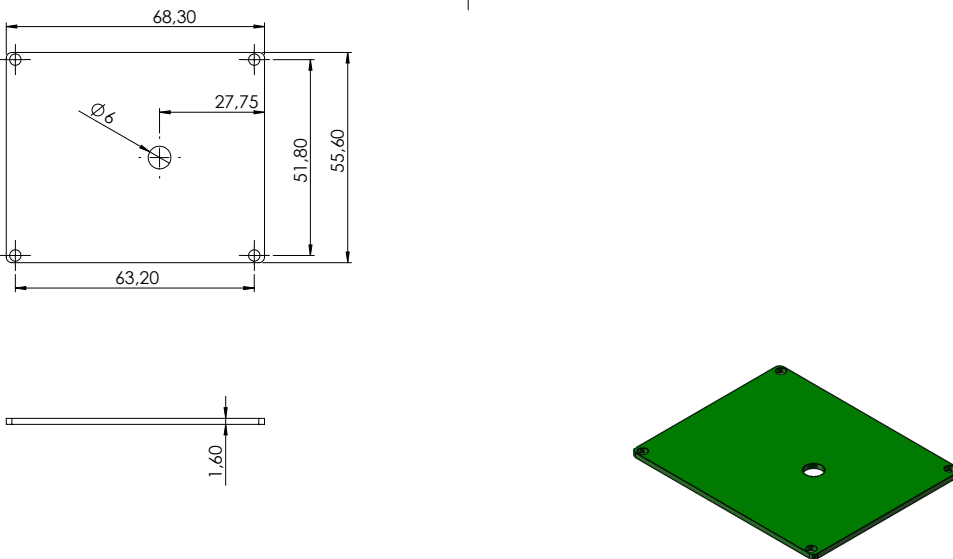


HH-030-K

DRAWING 3 - BASE



DRAWING 4 - PCB DIMENSIONS

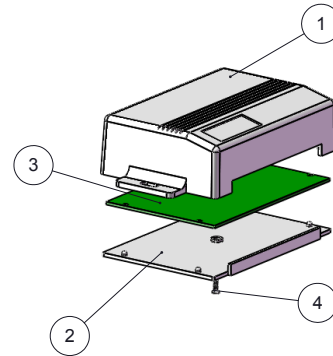
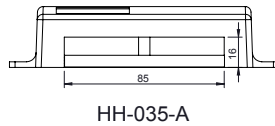
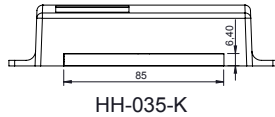
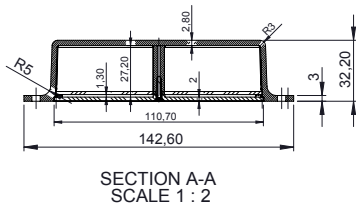
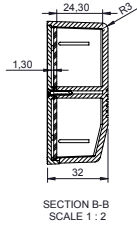
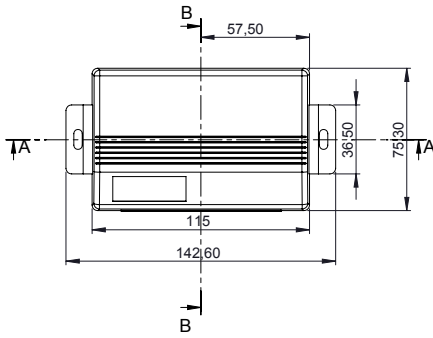




HH-035

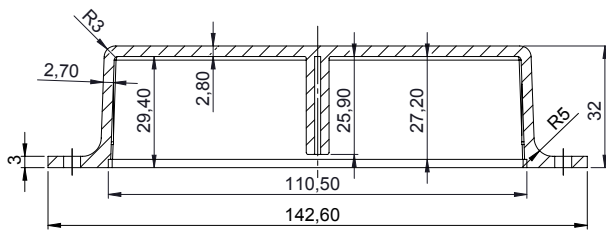
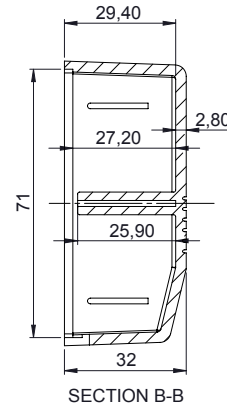
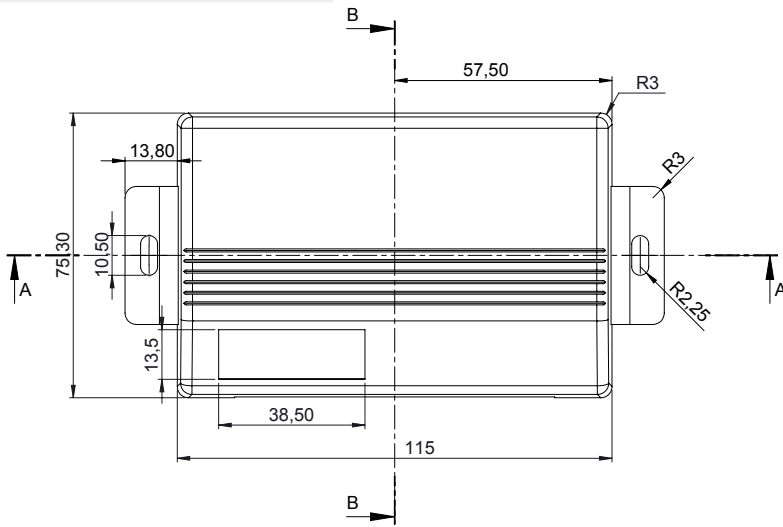
HH-035	
Dimensions (mm)	143x 76 x 32
Material	ABS
Colours	Light Grey or Black

DRAWING 1 - ASSEMBLY

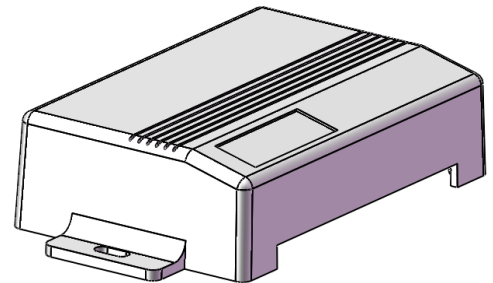


PART NUMBER	DESCRIPTION	QTY.
HH-035-P-1	HH 035 Body	1
HH-035-P-2	HH 035 Cover	1
HH-035 PCB sample	Not Included	1
A-62-0-0-S-0-10005	2,2 x 13 mm YHB SC Black Screw 2,2 x 13 mm YHB SC Black Screw 2,2 x 13 mm YHB SC Black Screw 2,2 x 13 mm YHB SC Black Screw	1

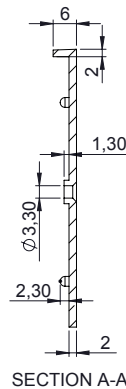
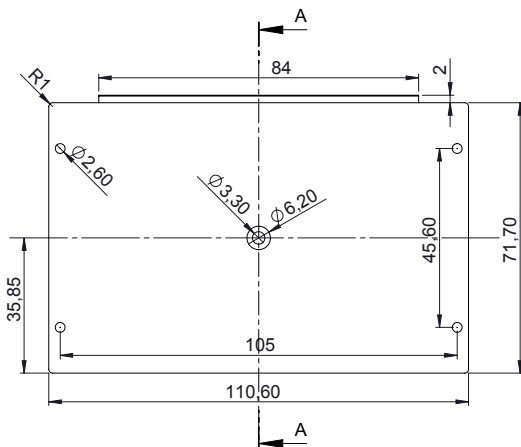
DRAWING 2 - COVER



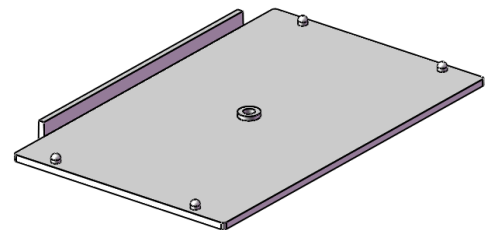
SECTION A-A



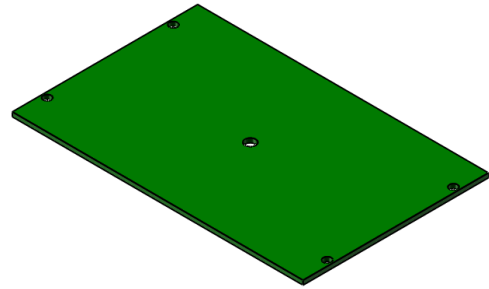
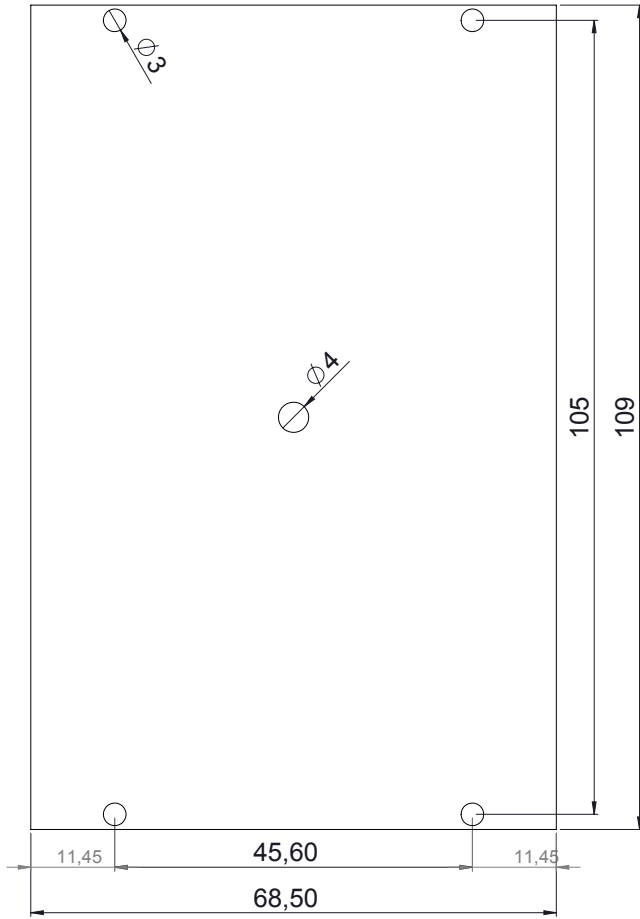
DRAWING 3 - BASE



SECTION A-A



DRAWING 4 - PCB DIMENSIONS

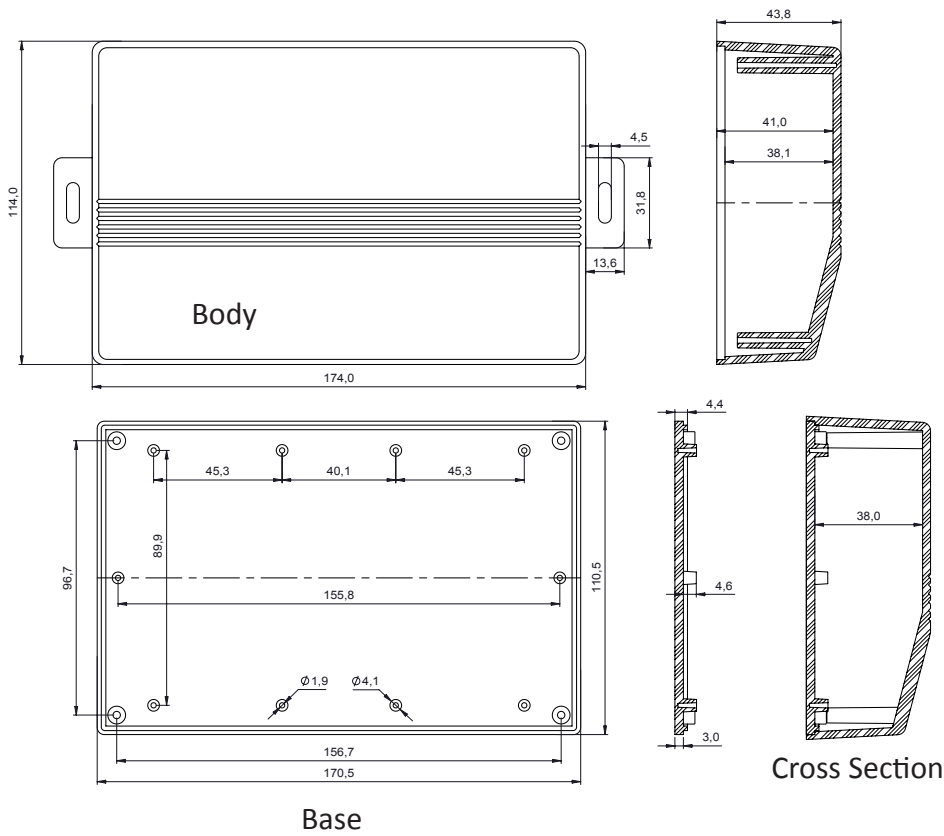




HH-040	
Dimensions (mm)	175 x 115 x 44
Material	ABS
Colours	Light Grey or Black

HH-040

DRAWING 1

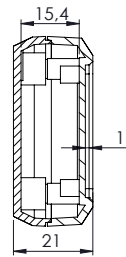
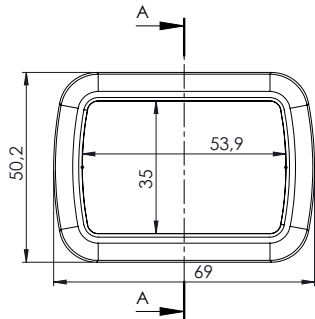




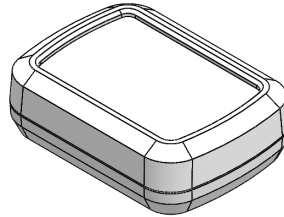
HH-042

HH-042	
Dimensions (mm)	69.5x 50.5 x 21
Material	ABS
Colours	Light Grey or Black

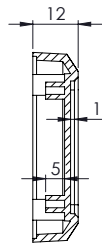
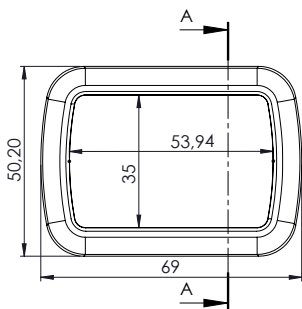
DRAWING 1 - ASSEMBLY



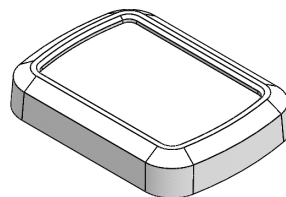
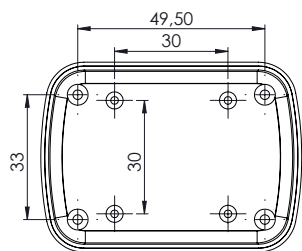
KESIT A-A



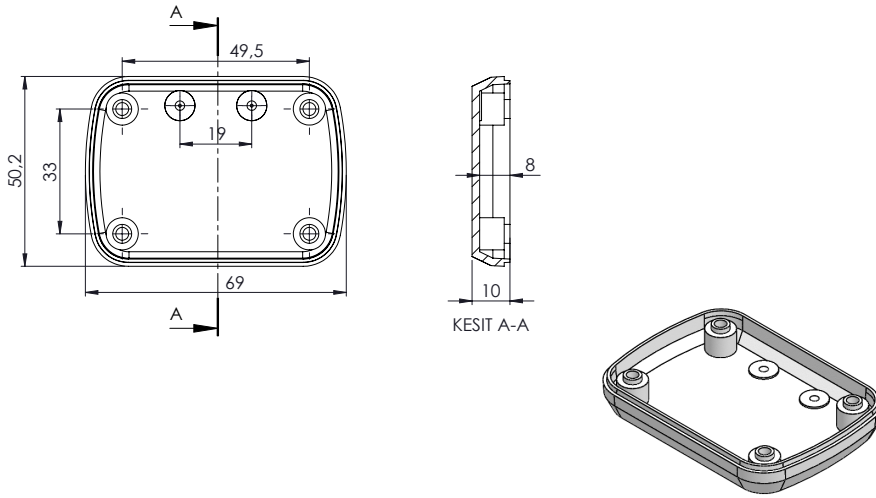
DRAWING 2 - COVER



KESIT A-A



DRAWING 3 - BASE

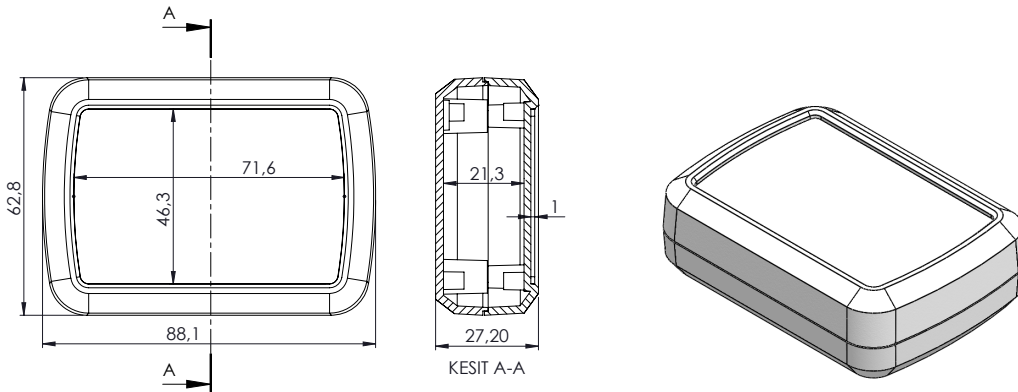




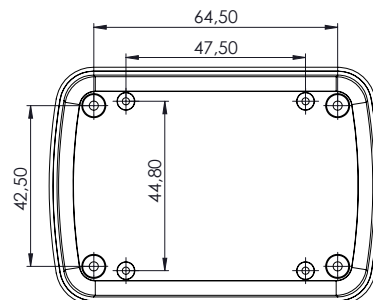
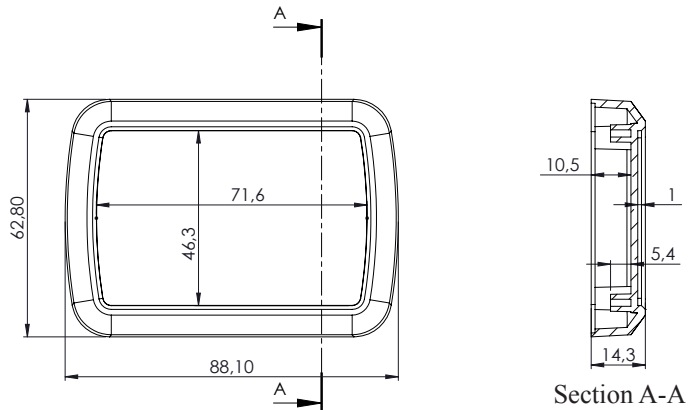
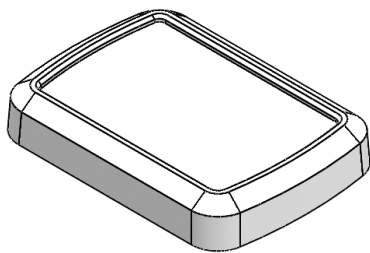
HH-044

HH-044	
Dimensions (mm)	88.5x 63 x 27.5
Material	ABS
Colours	Light Grey or Black

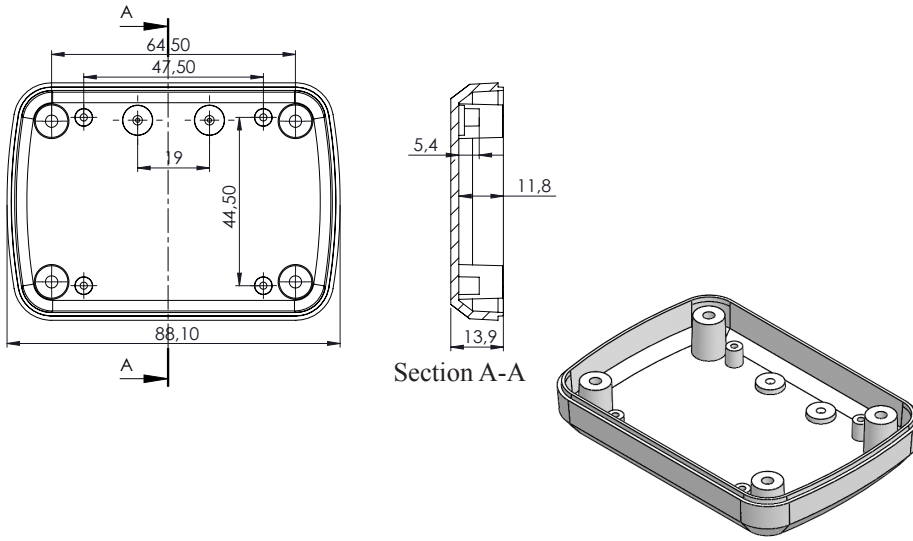
DRAWING 1 - ASSEMBLY



DRAWING 2 - COVER

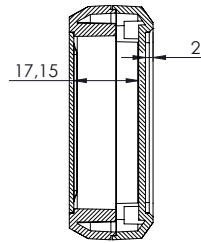
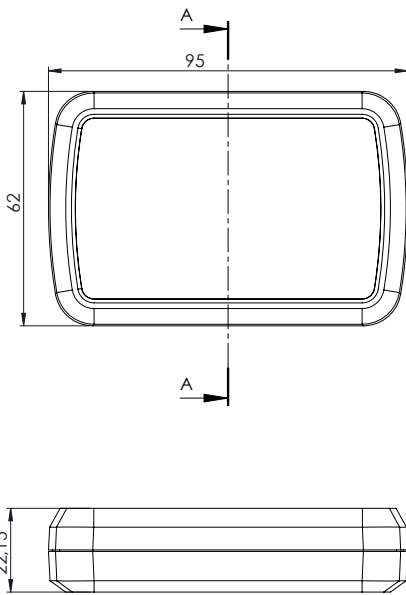


DRAWING 3 - BASE

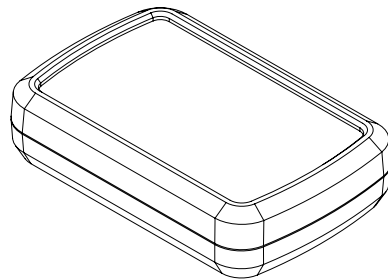


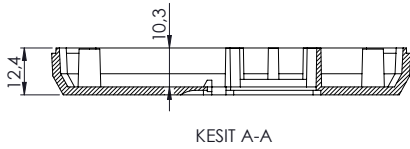
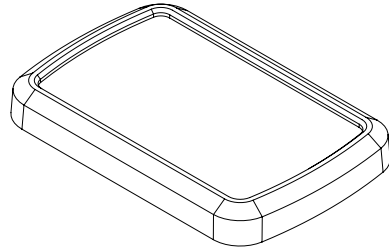
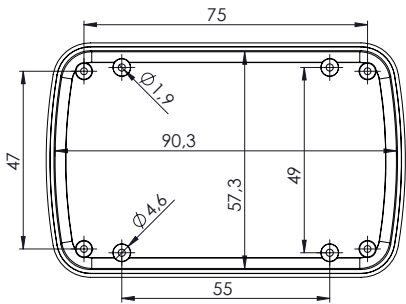
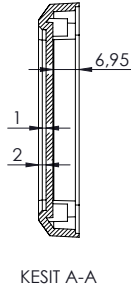
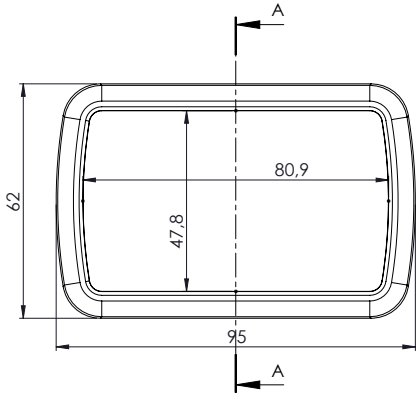


HH-045	
Dimensions (mm)	95x62x22 mm
Material	ABS
Colours	Light Grey or Black
Notes:	Available with or without battery contact

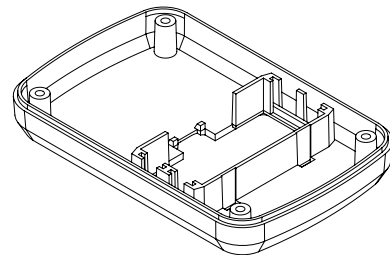
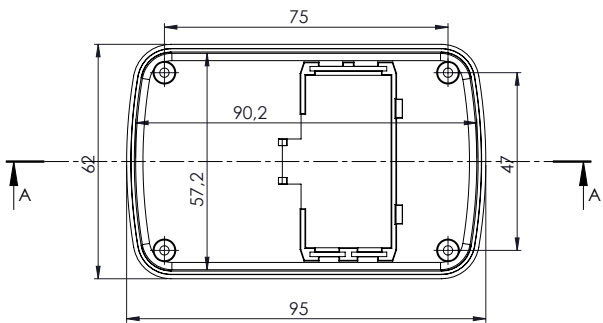


KESIT A-A





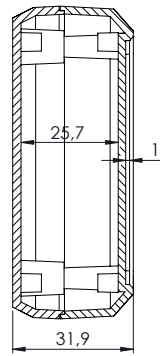
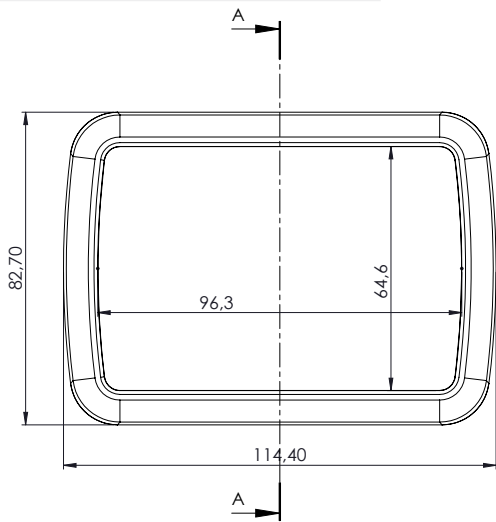
KESIT A-A



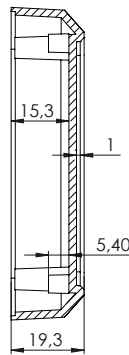
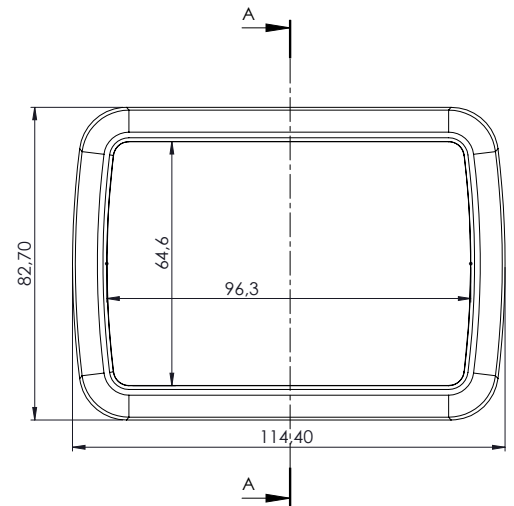
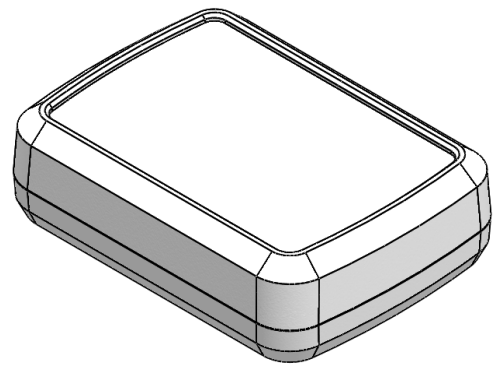


HH-046	
Dimensions (mm)	115x 83 x 32
Material	ABS
Colours	Light Grey or Black

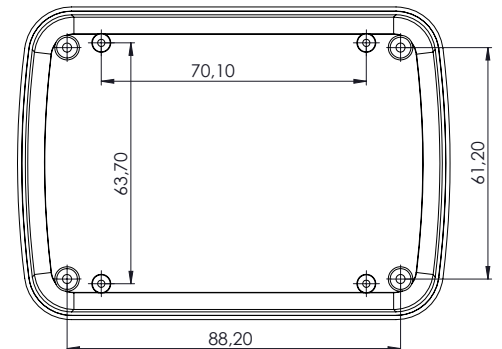
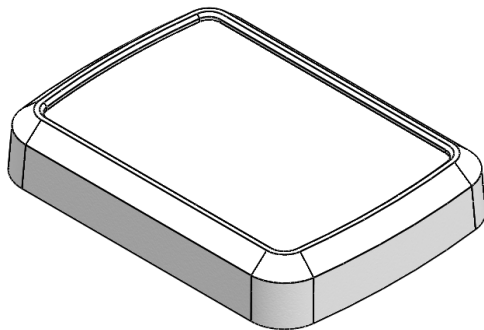
DRAWING 1 - ASSEMBLY



Section A-A

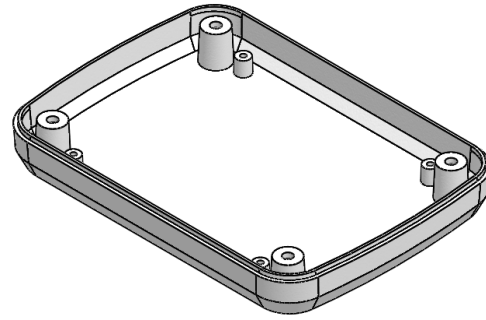
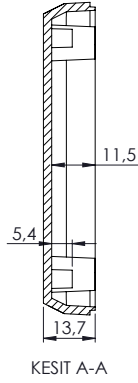
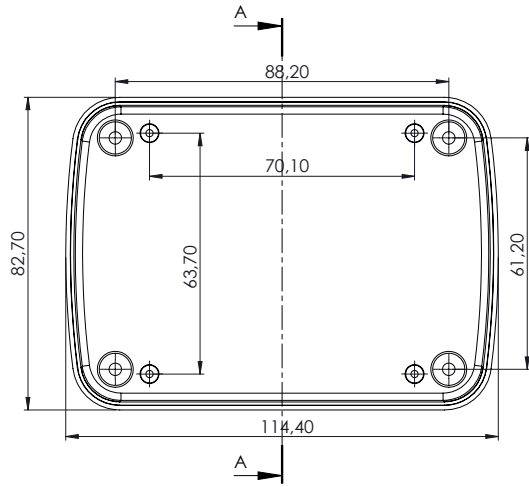


Section A-A



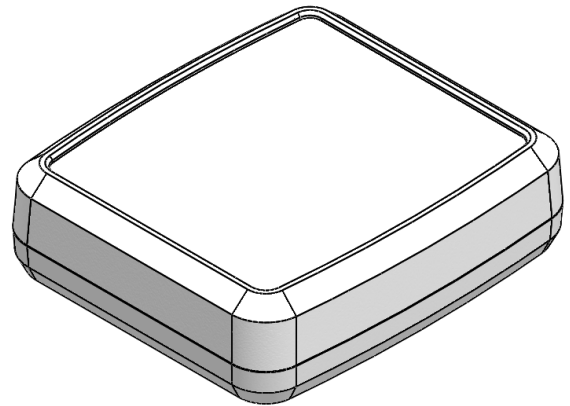
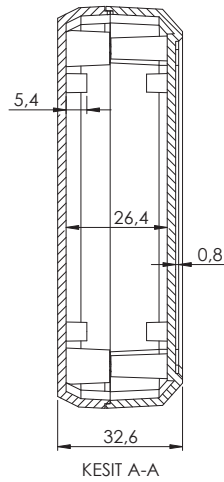
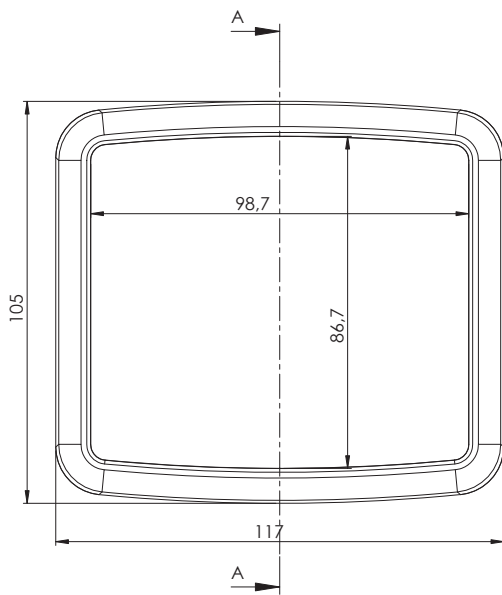
DRAWING 2 - COVER

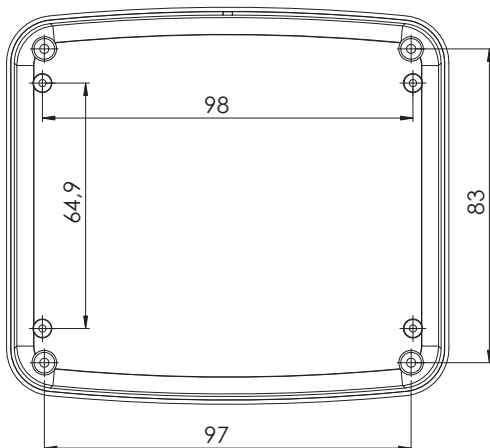
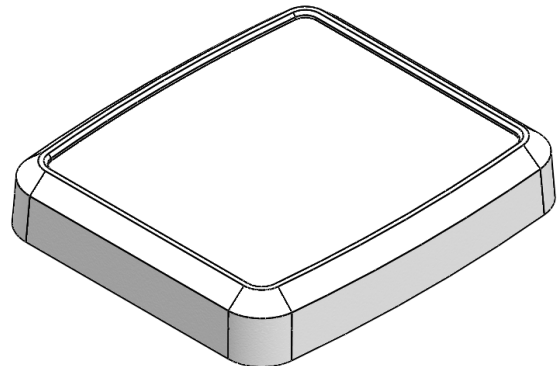
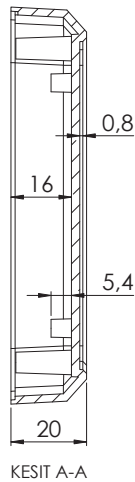
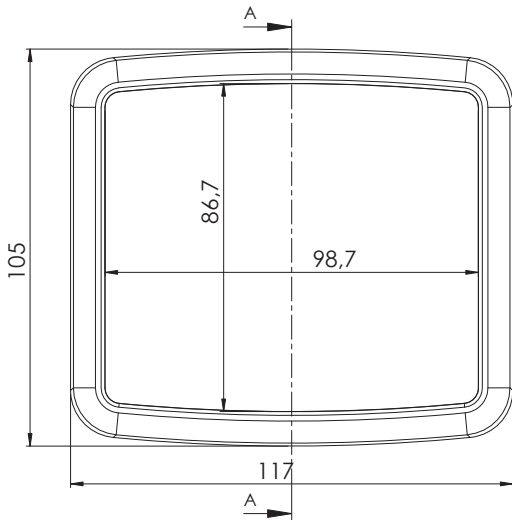
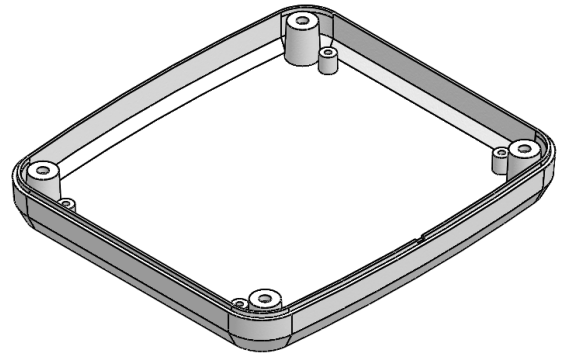
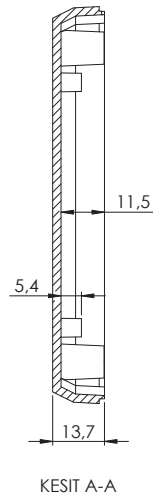
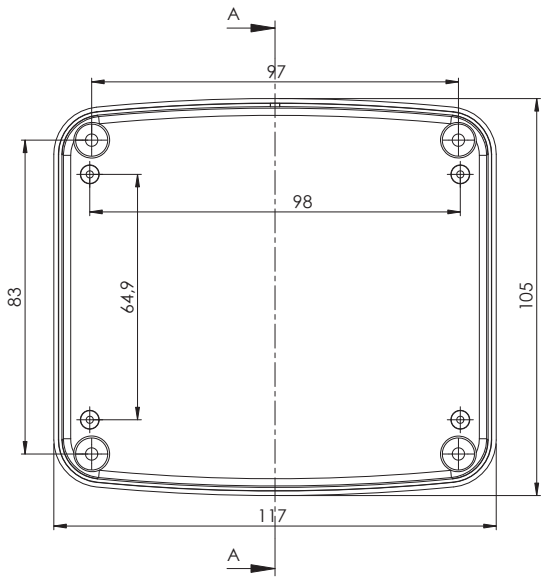
DRAWING 3 - BASE





HH-047	
Dimensions (mm)	116.5x104.5x32 mm
Material	ABS
Colours	Light Grey or Black



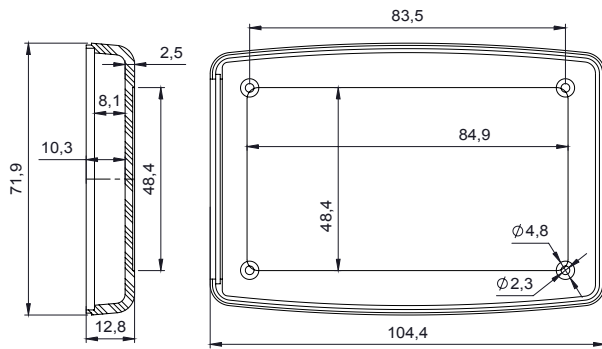




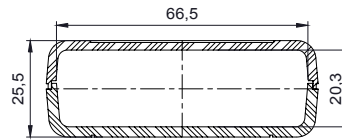
HH-050

HH-050	
Dimensions (mm)	72 x 104 x 26
Material	ABS
Colours	Light Grey or Black

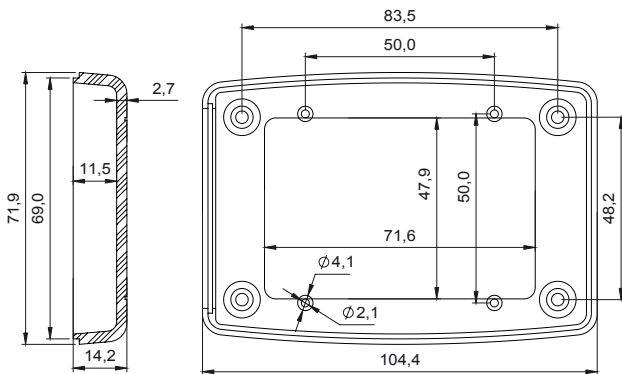
DRAWING 1



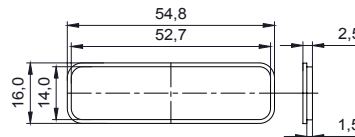
Cover



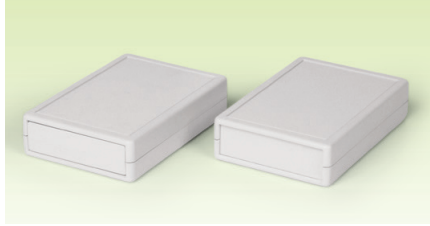
Section A-A



Base



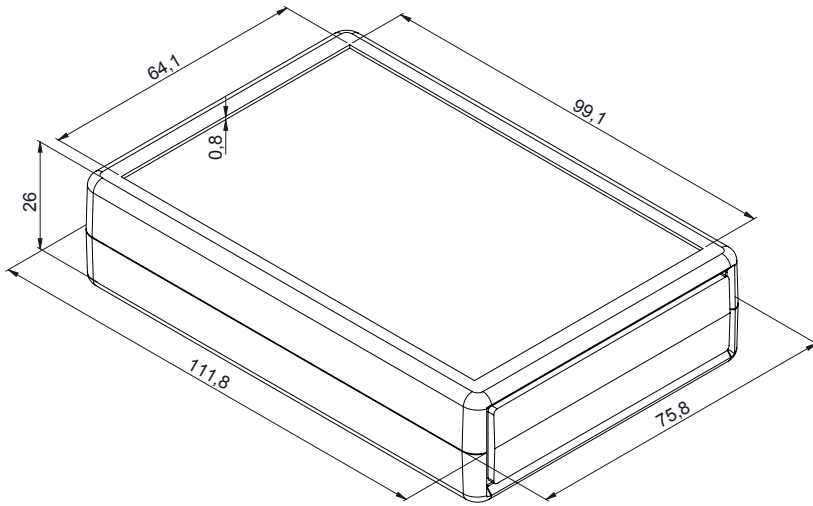
Panel



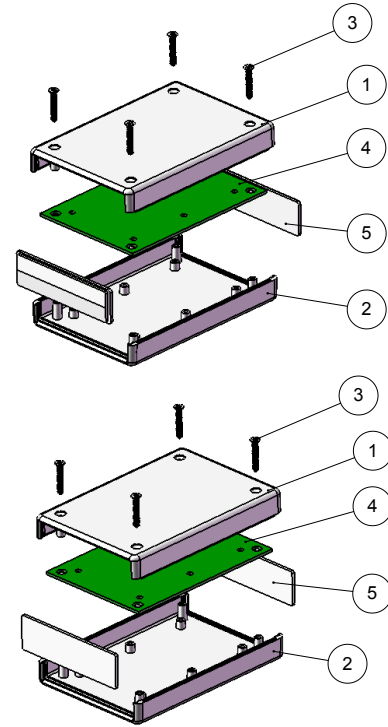
HH-055

HH-055	
Dimensions (mm)	76 x 112 x 26
Material	ABS
Colours	Light Grey or Black

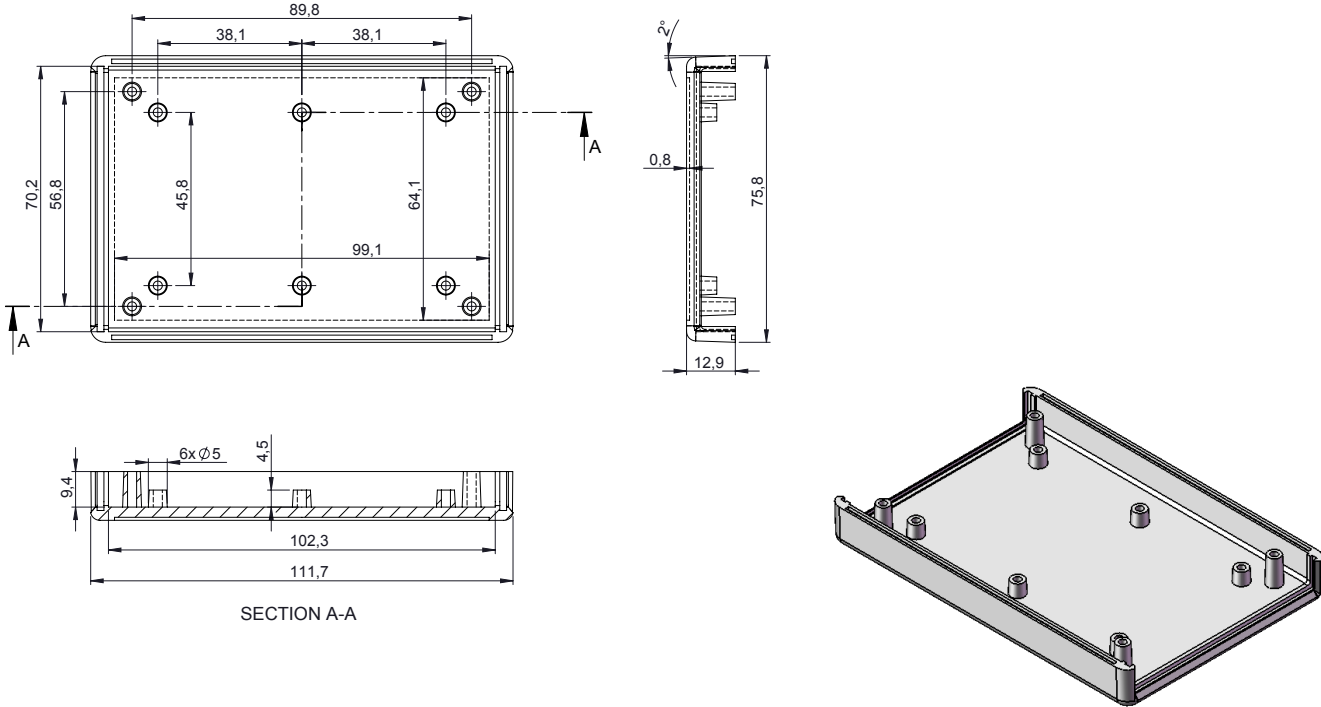
DRAWING 1 - ASSEMBLY



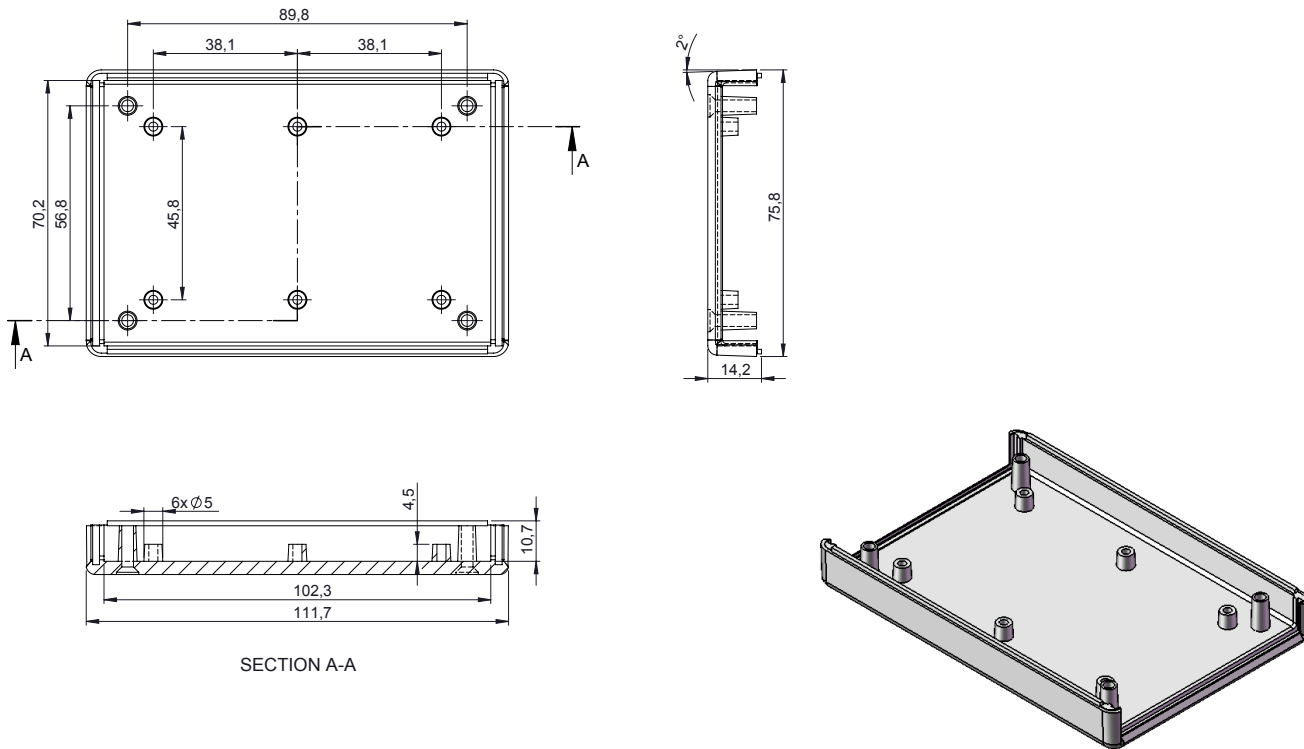
ITEM NO.	PART NUMBER	DESCRIPTION	QTY.
1	HH-055-P-2-G-0-11117	HH-055 Cover	1
2	HH-055-P-1-G-0-11115	HH-055 Upper	1
3	A-646-0-0-M-0-11119	2,2 x 13 mm YHB SC Black Screw	4
4	PCB board sample	No Included	1
5	HH-055-P-3-G-0-11121	HH-055 Flat	2



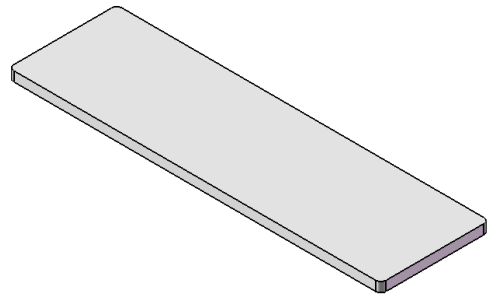
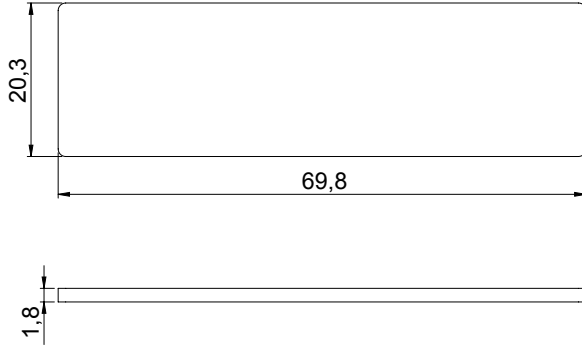
DRAWING 2 - COVER



DRAWING 3 - BASE

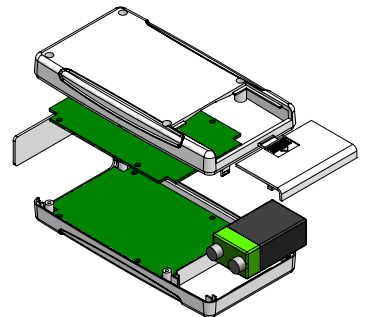
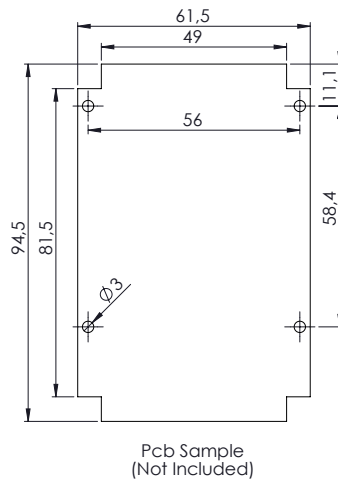
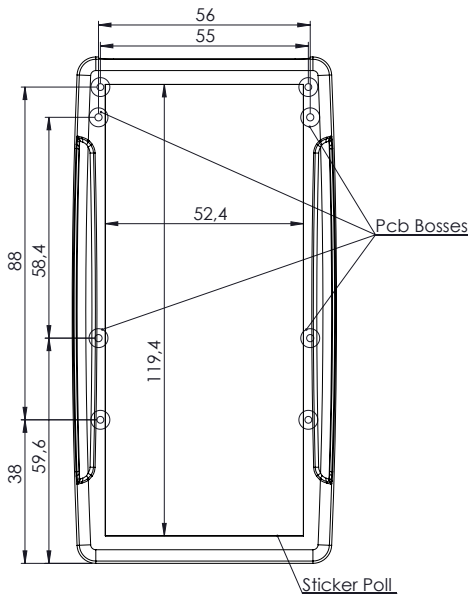
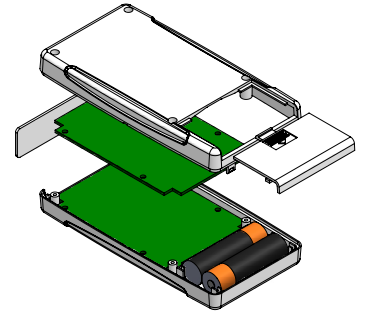
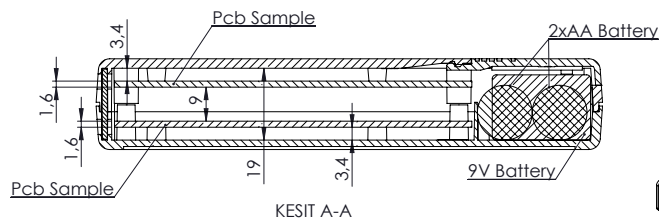
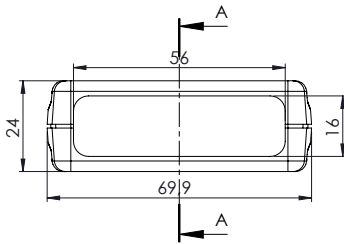


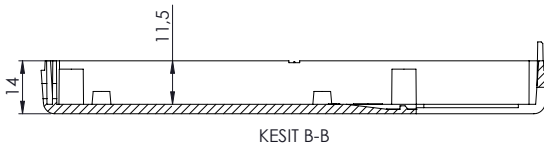
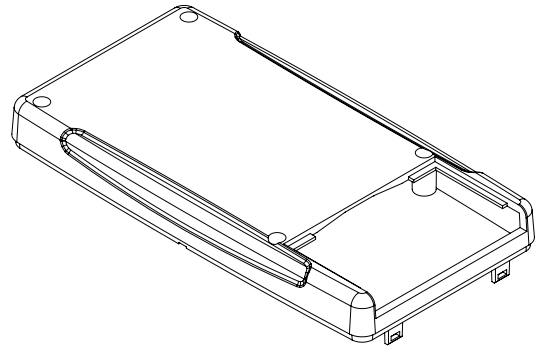
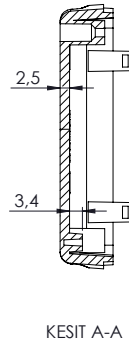
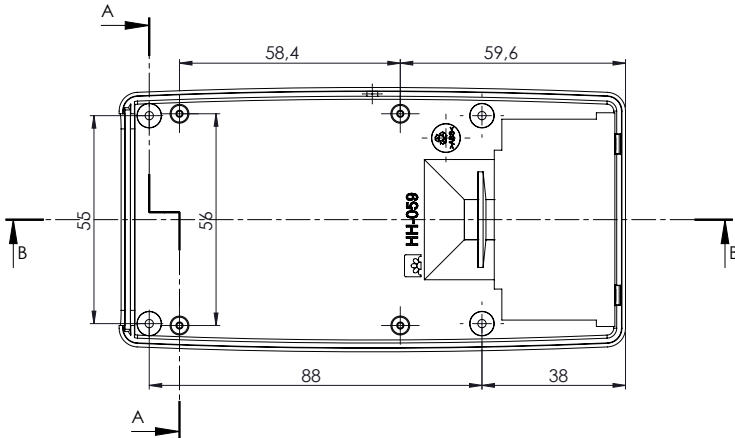
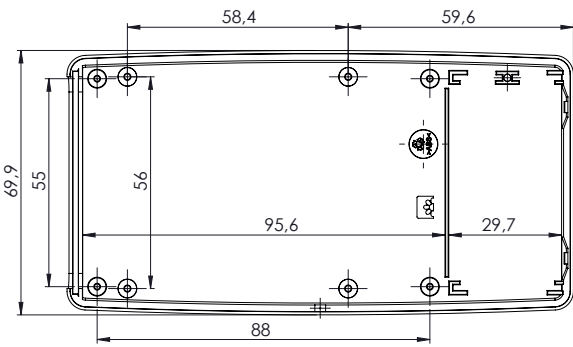
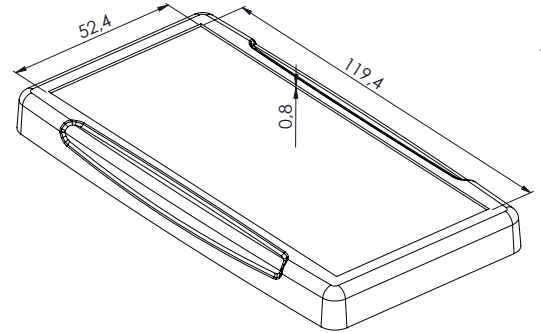
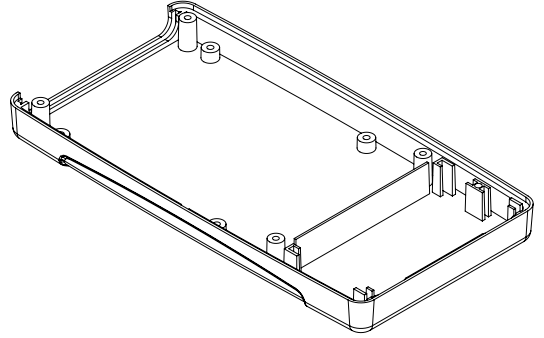
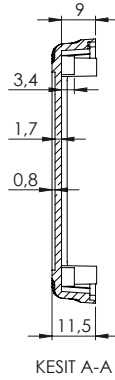
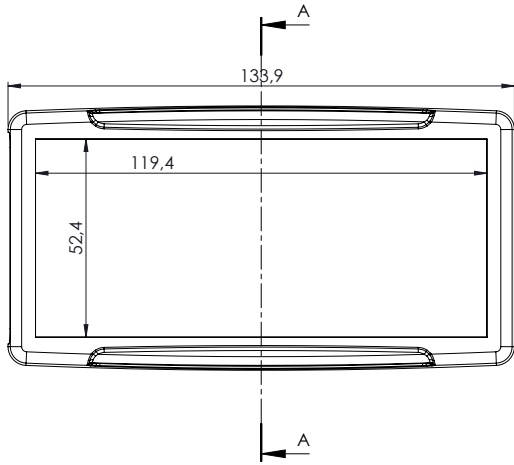
DRAWING 4 - PANEL

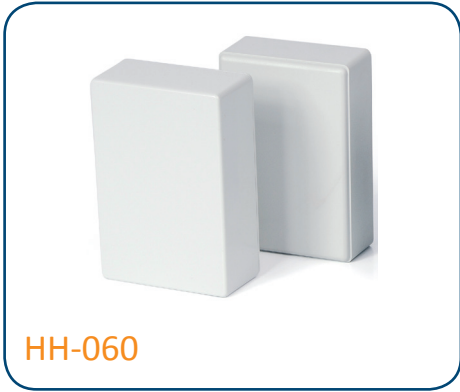




HH-059	
Dimensions (mm)	70x133.5x24 mm
Material	ABS
Colours	Light Grey or Black
Notes	With or without battery contact

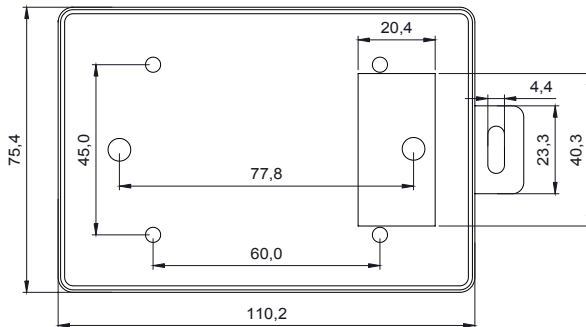
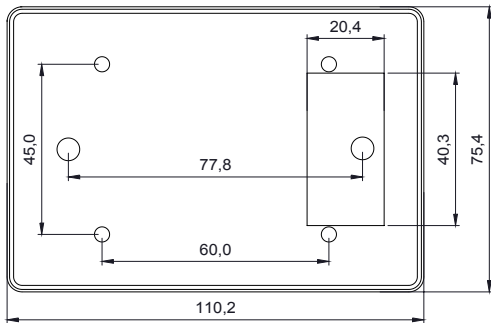
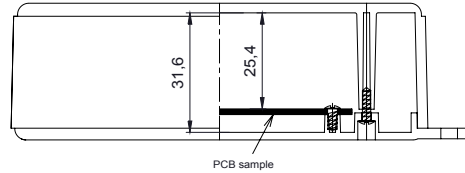
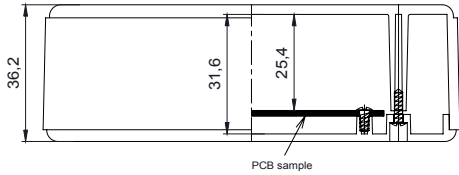






HH-060	
Dimensions (mm)	75 x 110 x 36
Material	ABS
Colours	Light Grey or Black

DRAWING 1



HH-060

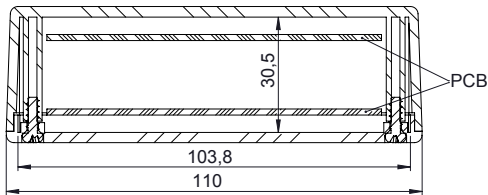
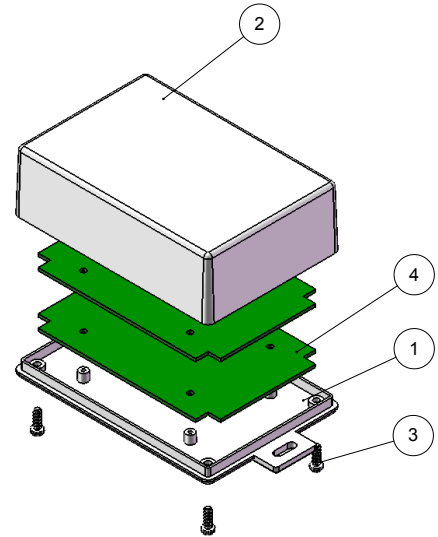
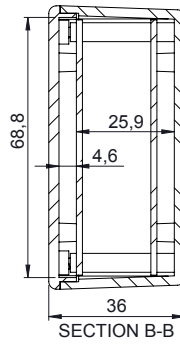
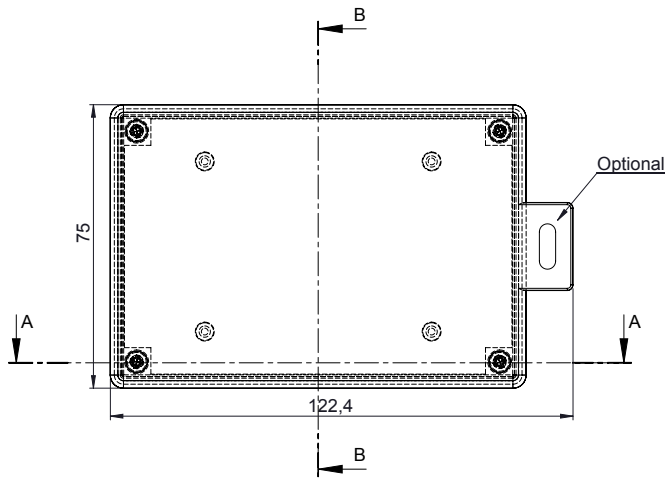
HH-060-A



HH-062

HH-062	
Dimensions (mm)	75 x 110 x 36
Material	ABS
Colours	Light Grey or Black

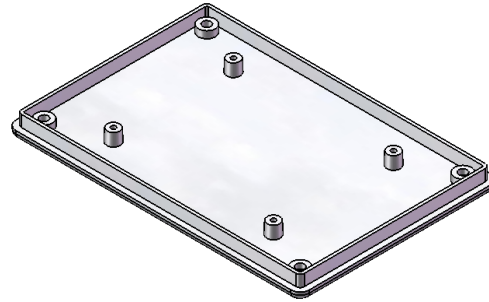
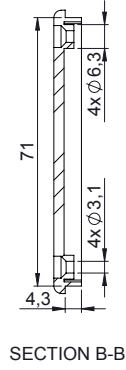
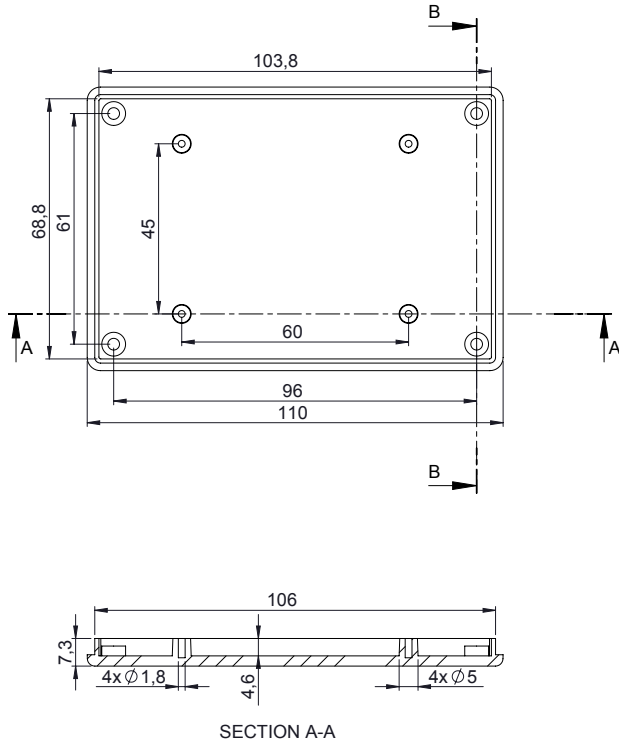
DRAWING 1 - ASSEMBLY



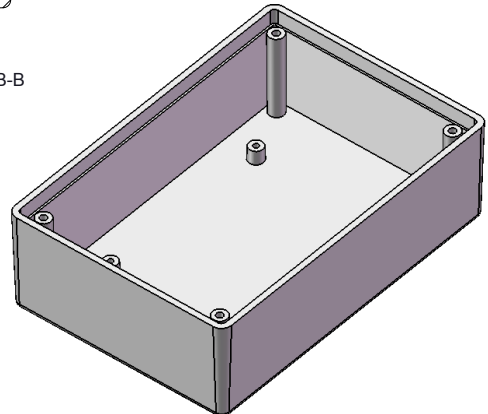
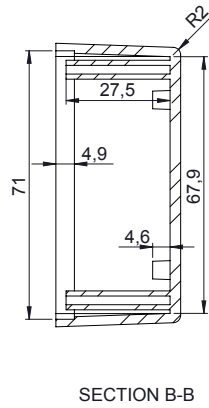
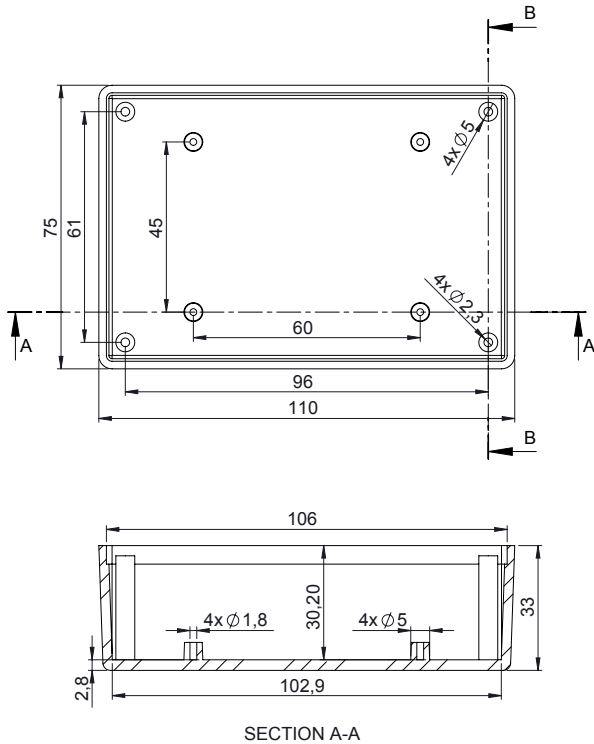
SECTION A-A

ITEM NO.	PART NUMBER	DESCRIPTION	QTY.
1	HH-062-P-2-11148	HH-062 Cover	1
2	HH-062-P-1-11146	HH-062 Body	1
3	A-614-0-0-M-0-11099	3 x 9,5 mm YSB PLS Metallic Screw	4
4	HH-062 PCB sample	Not Included	2

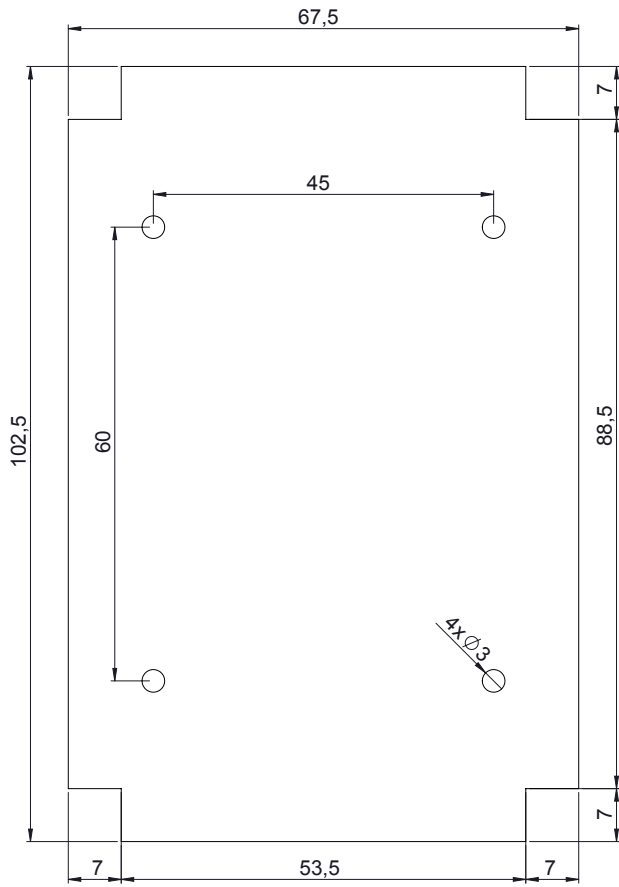
DRAWING 2 - COVER



DRAWING 3 - BASE



DRAWING 4 - PCB DIMENSIONS

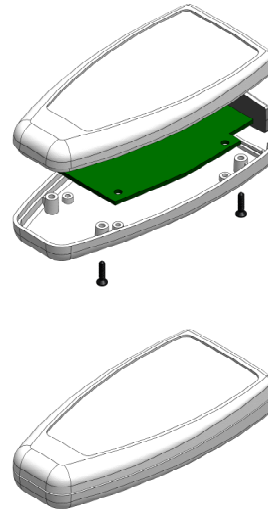
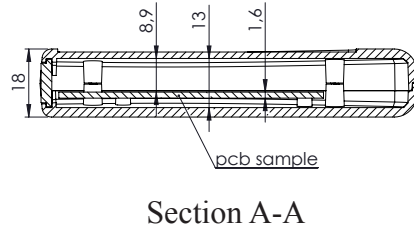
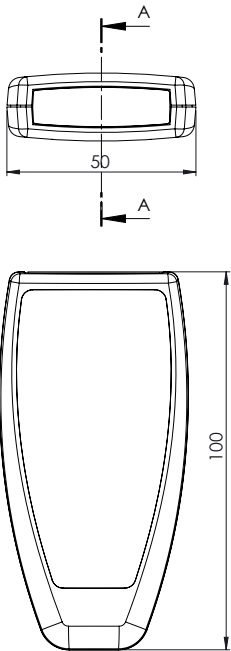




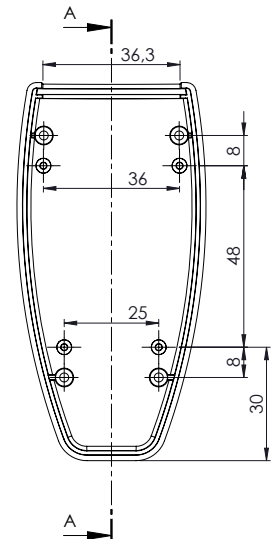
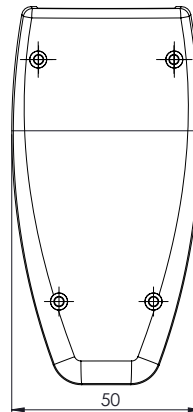
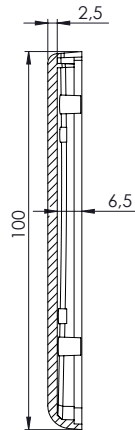
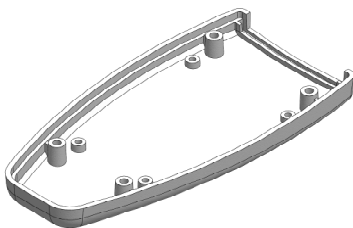
HH-066

HH-066	
Dimensions (mm)	100 x 50 x 18
Material	ABS
Colours	Light Grey or Black

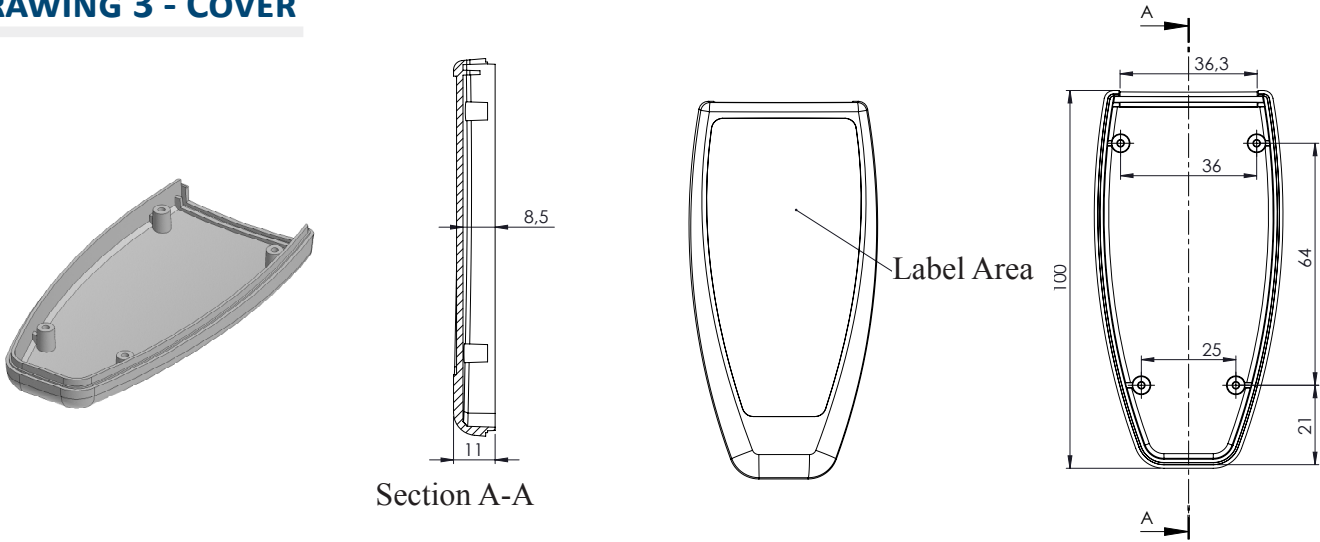
DRAWING 1



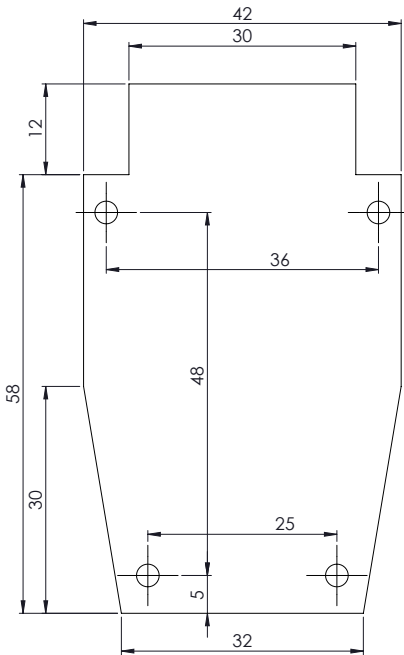
DRAWING 2 - BASE

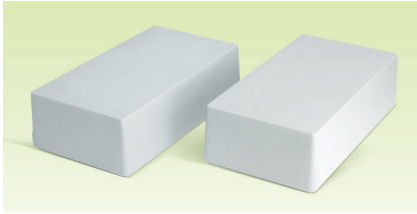


DRAWING 3 - COVER



DRAWING 4 - PCB DIMENSIONS

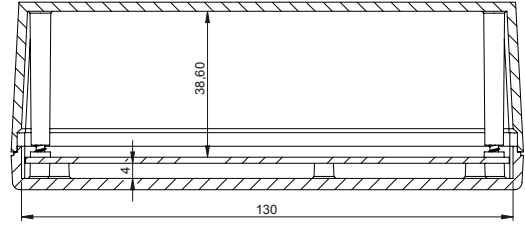
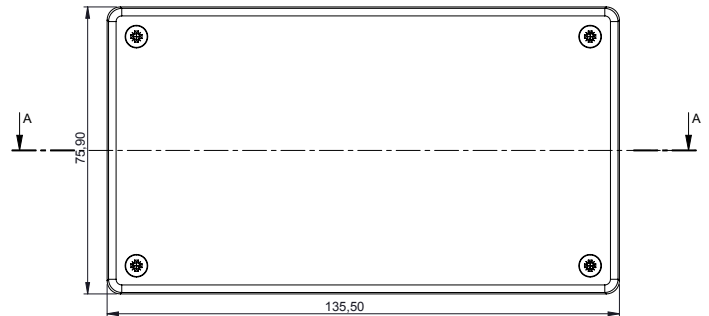
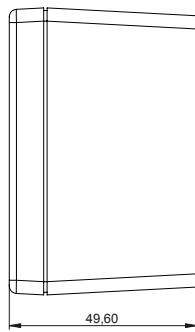
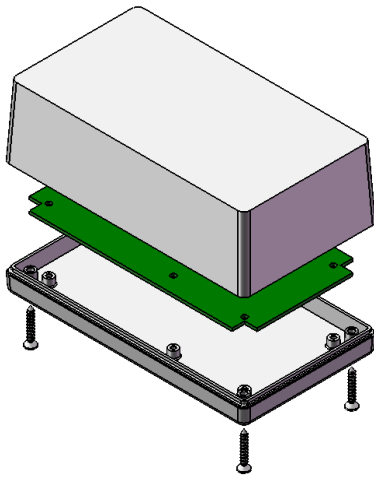




HH-070

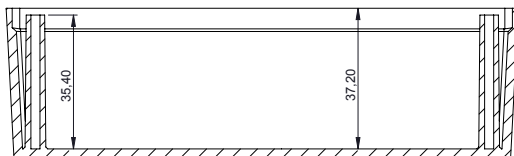
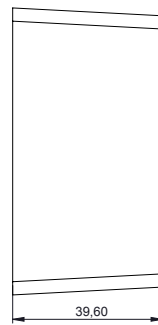
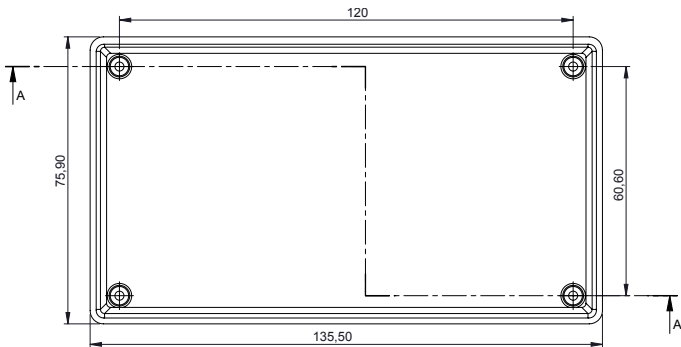
HH-070	
Dimensions (mm)	76 x 136 x 50
Material	ABS
Colours	Light Grey or Black

DRAWING 1

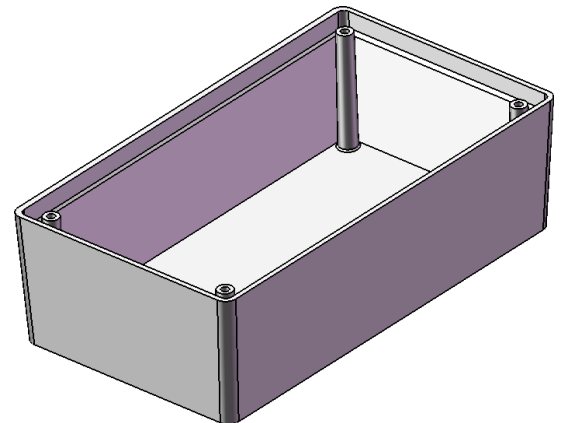


SECTION A-A

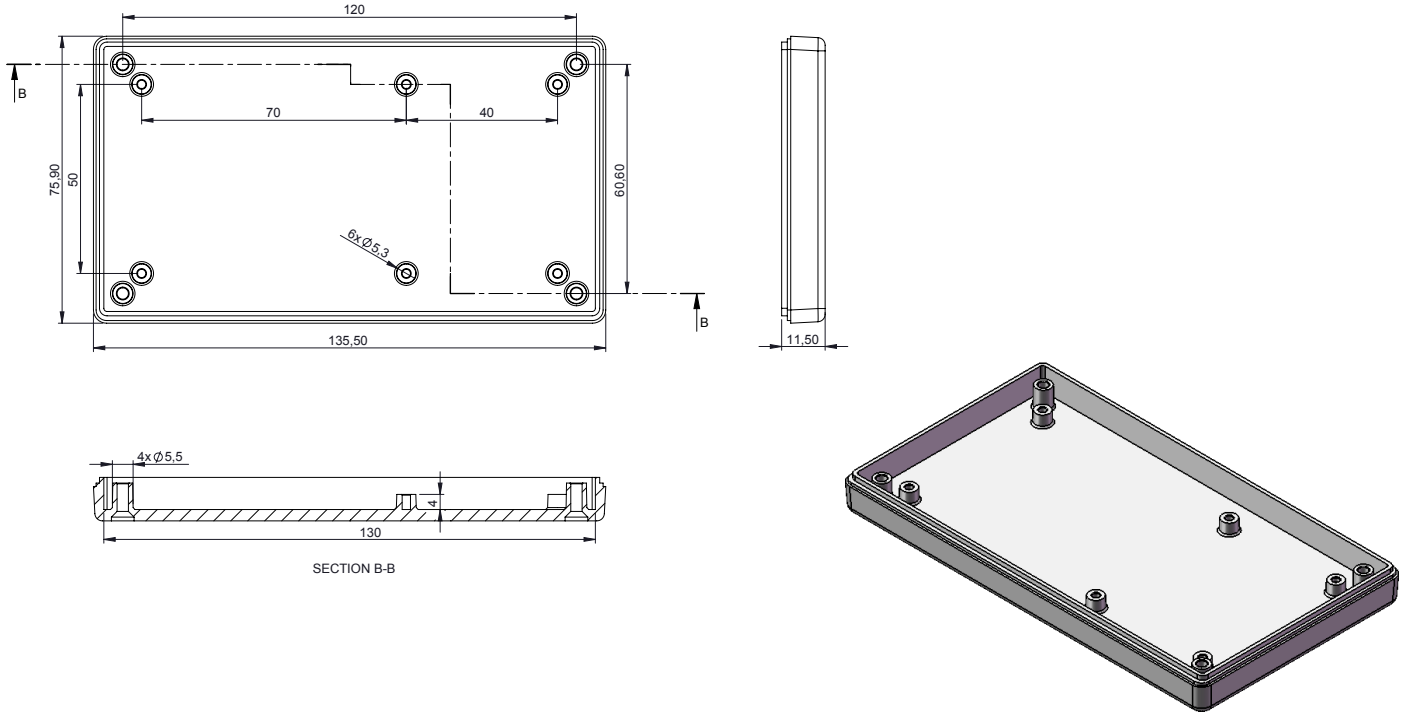
DRAWING 2 - COVER



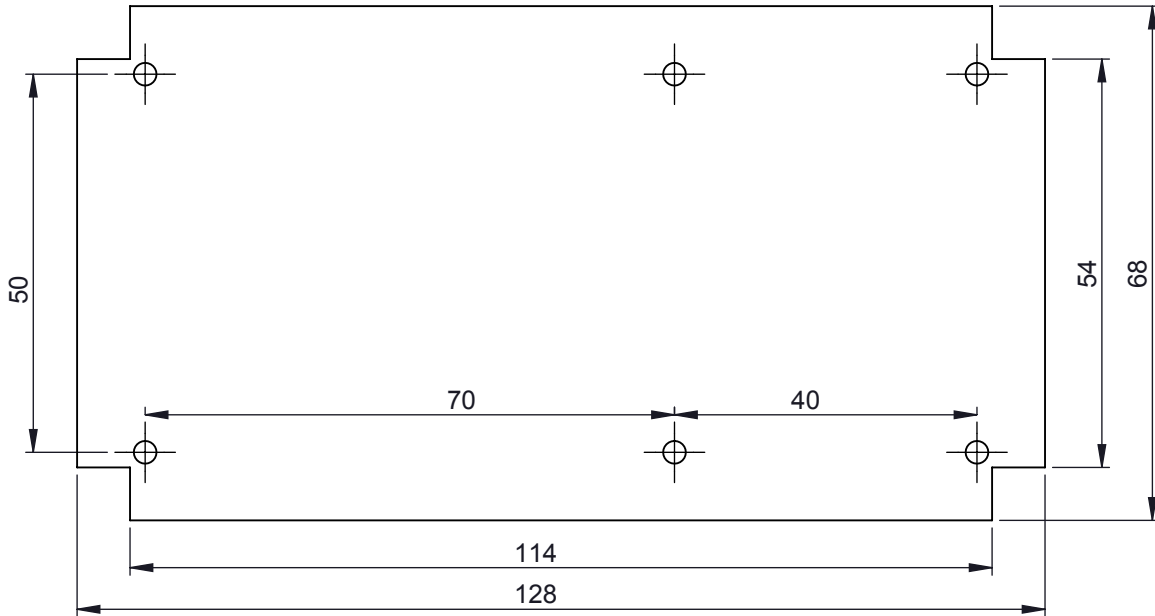
SECTION A-A



DRAWING 3 - BASE



DRAWING 4 - PCB DIMENSION

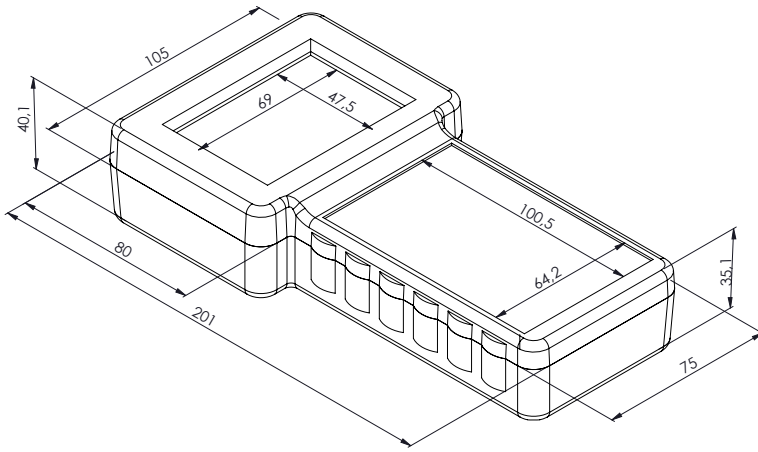




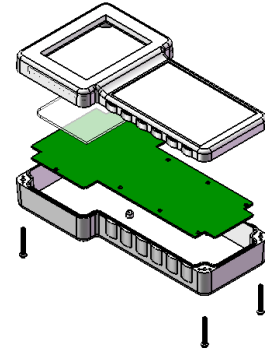
HH-095

HH-095	
Dimensions (mm)	105 x 201 x 41
Material	ABS
Colours	Light Grey or Black

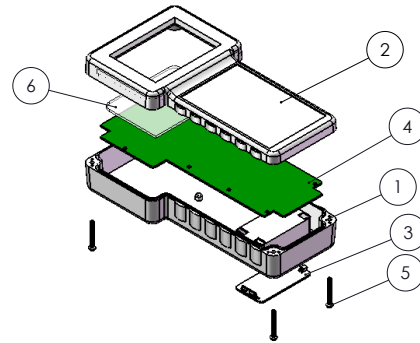
DRAWING 1



ITEM NO.	PART NUMBER	DESCRIPTION	QTY.
1	HH-095-P-2-11174	HH-095 Body with Battery Compartment	1
2	HH-095-P-3-11175	HH-095 Upper Body	1
3	A-99-0-0-G-0-11182	Plastic Battery Cover	1
4	HH-095 PCB sample	Not Included	1
5	A-647-0-0-M-0-11181	M3X25 YSB Metalik Vida	4
6	Cam	HH-095 Cam	1

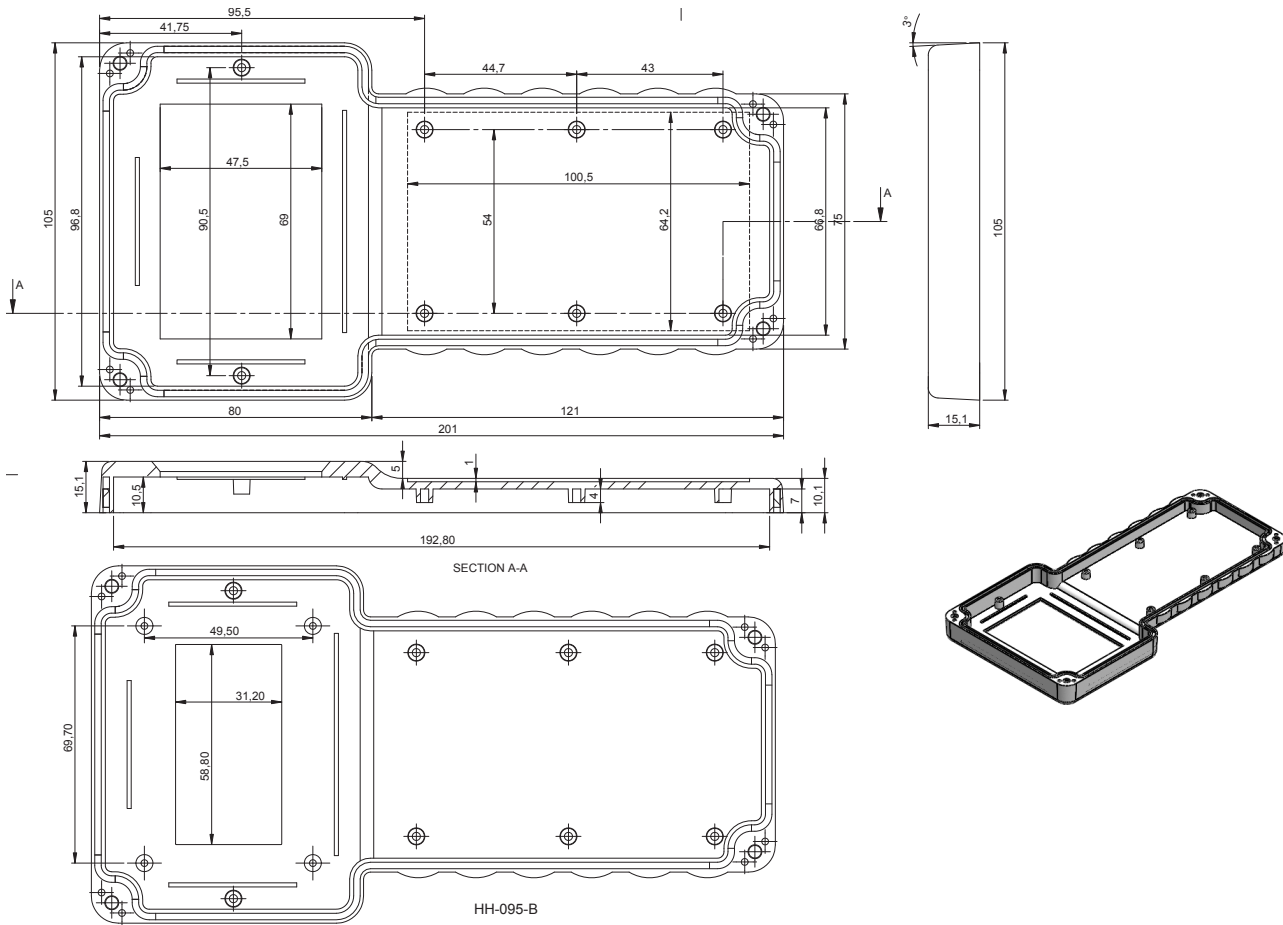


HH-095

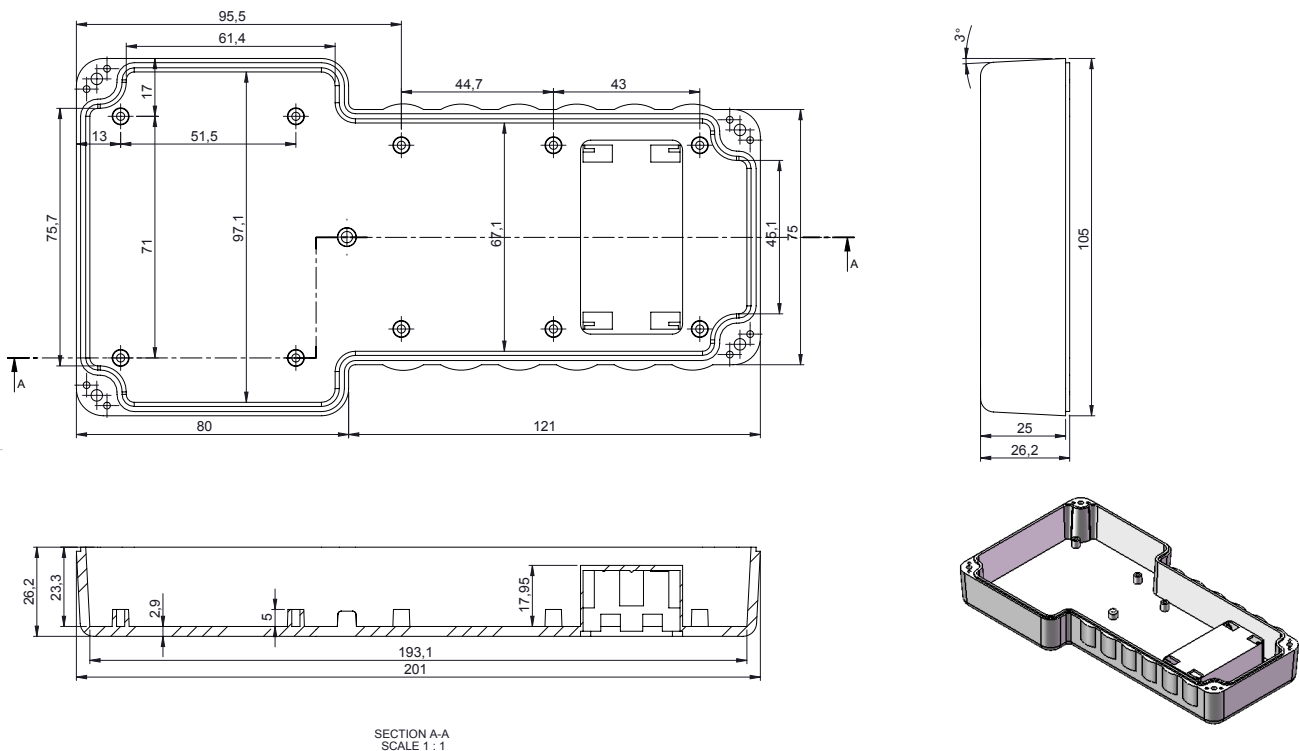


HH-095-A

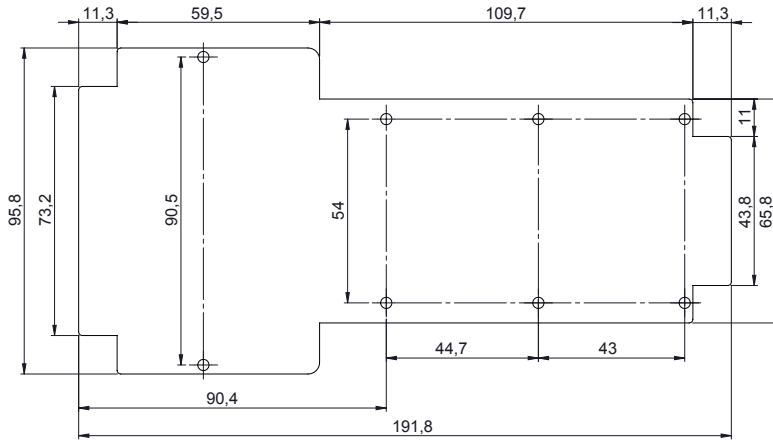
DRAWING 2 - COVER



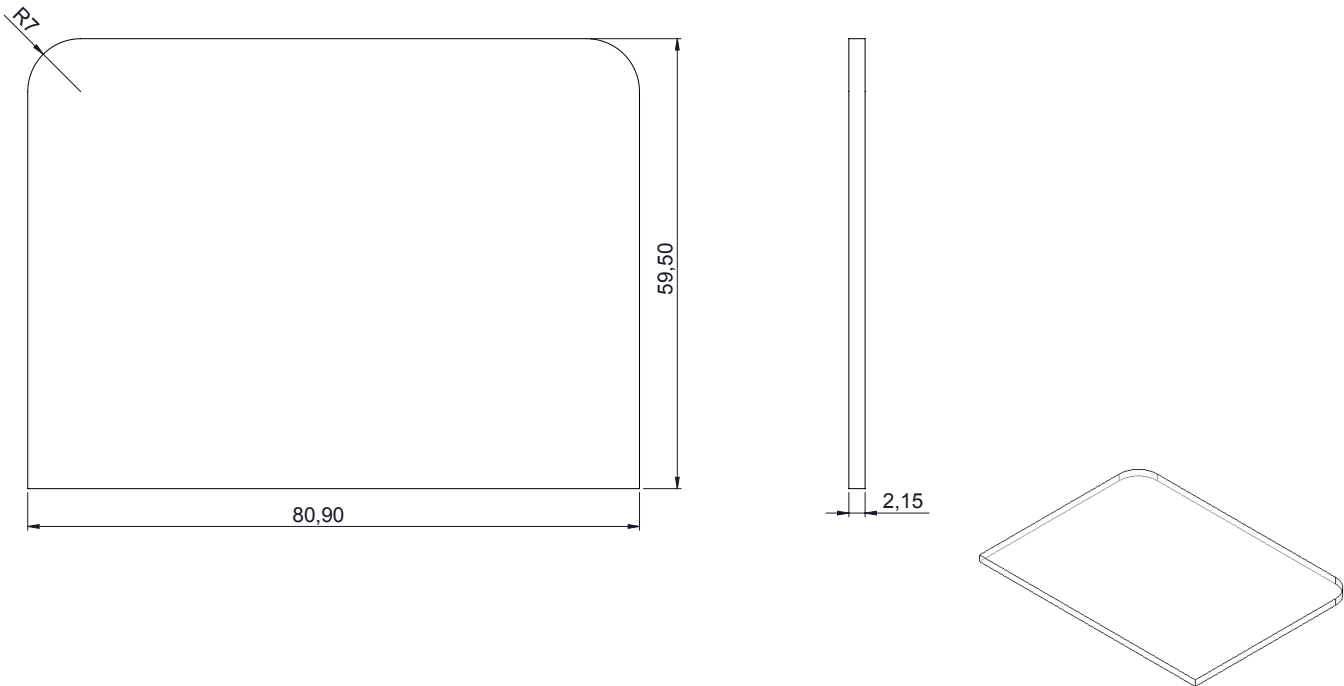
DRAWING 3 - BASE



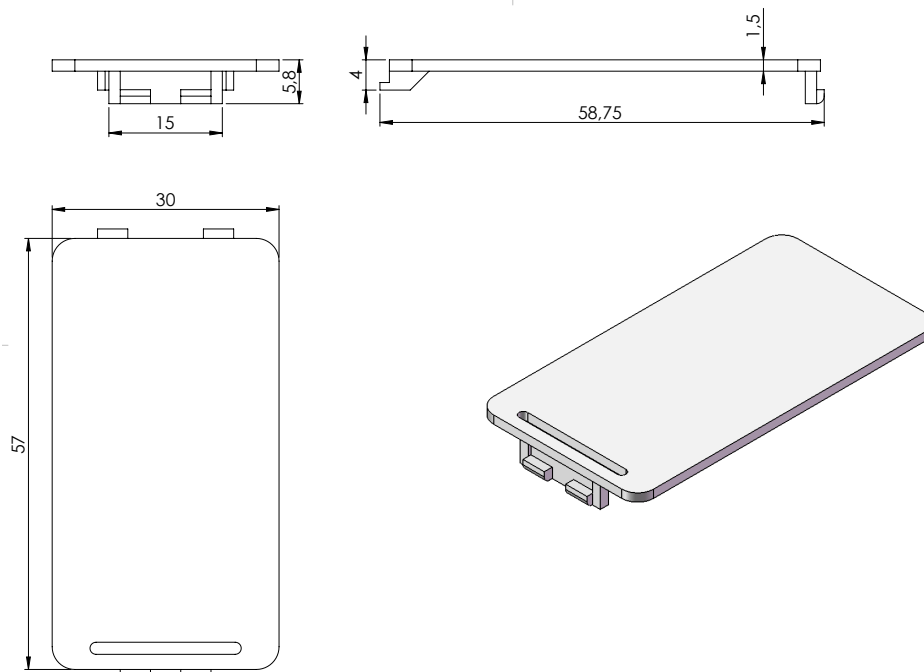
DRAWING 4 - PCB DIMENSIONS



DRAWING 5 - CLEAR COVER



DRAWING 6 - BATTERY COVER

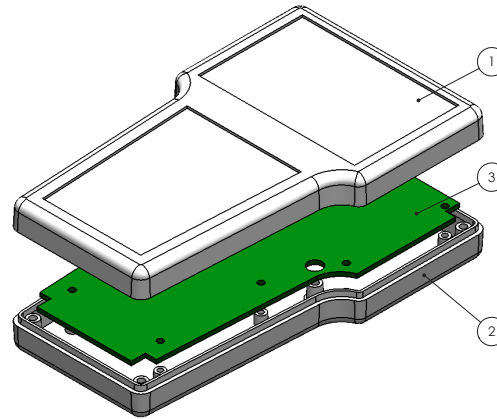
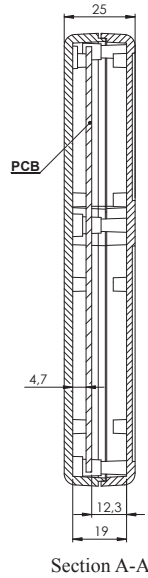
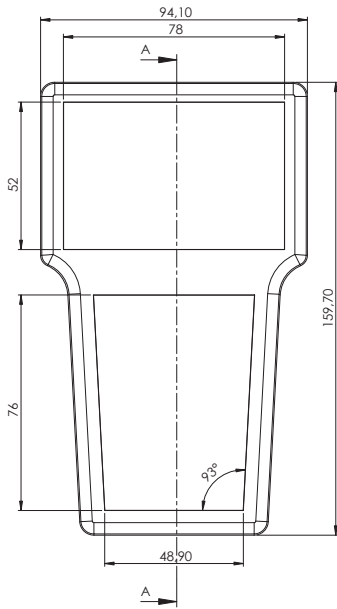




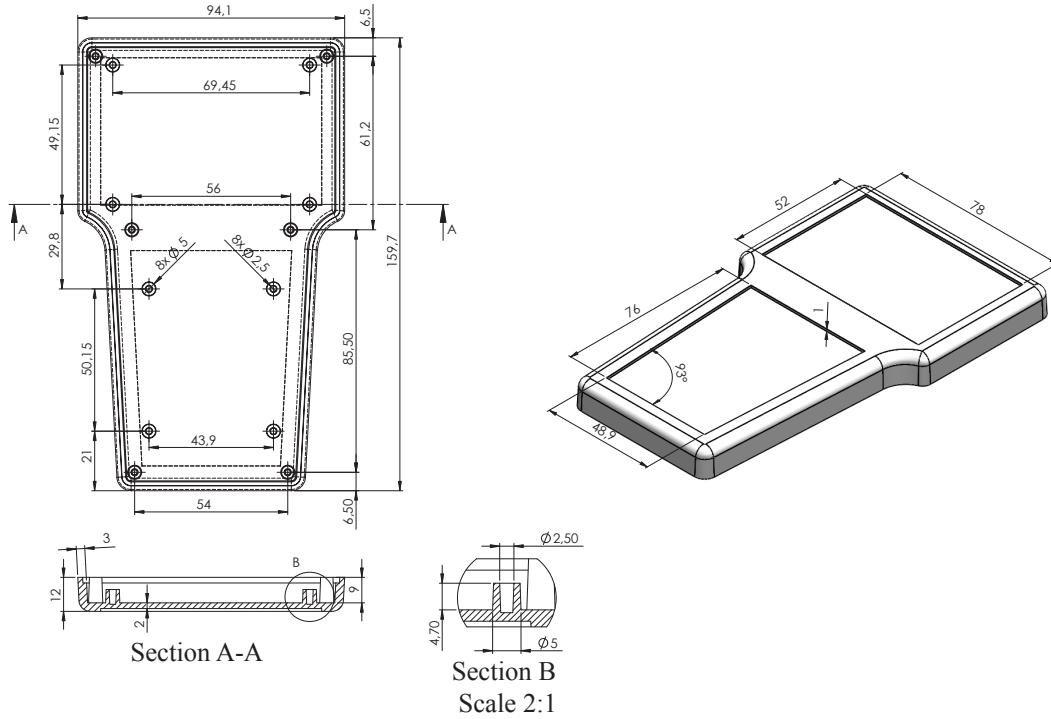
HH-097

HH-097	
Dimensions (mm)	160 x 94 x 25
Material	ABS
Colours	Light Grey or Black

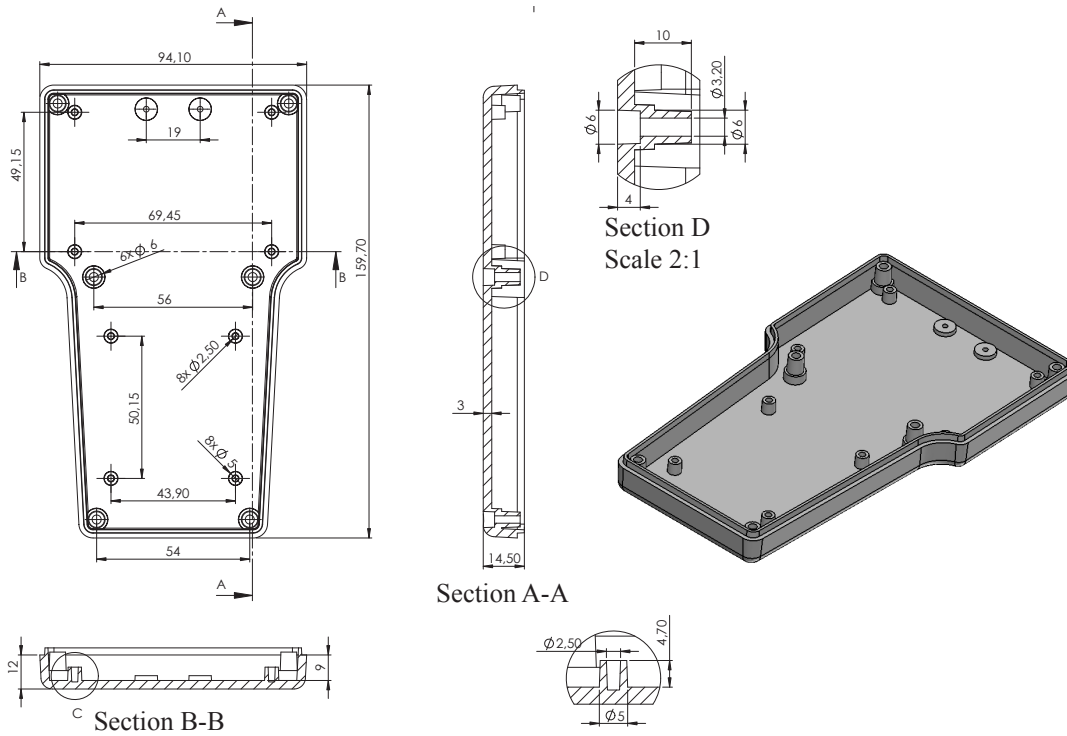
DRAWING 1



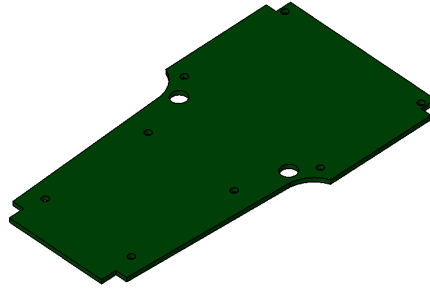
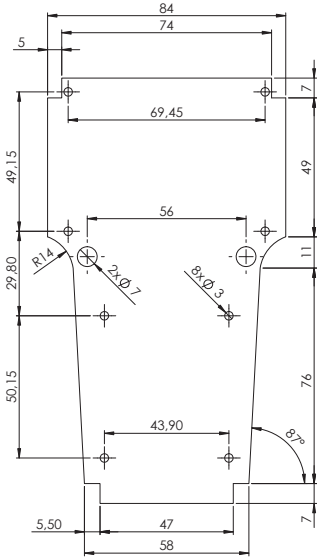
DRAWING 2 - COVER

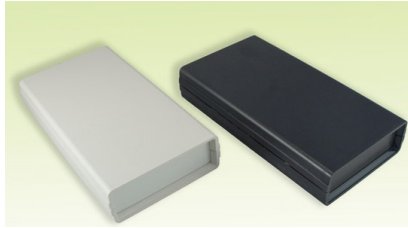


DRAWING 3 - COVER



DRAWING 4

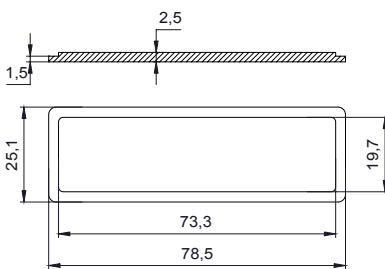
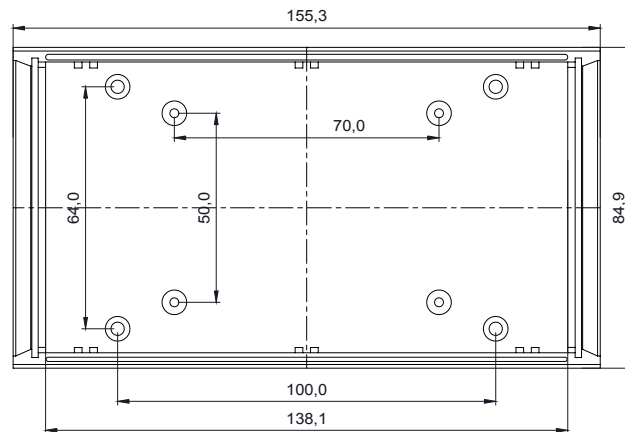
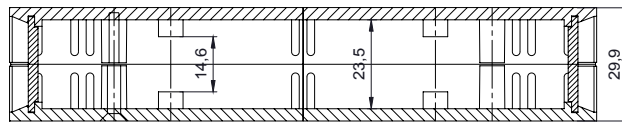
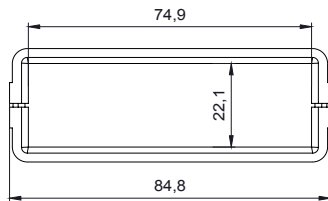




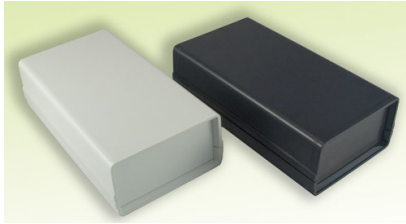
HH-8080

HH-8080	
Dimensions (mm)	85 x 155 x 30
Material	ABS
Colours	Light Grey or Black

DRAWING 1



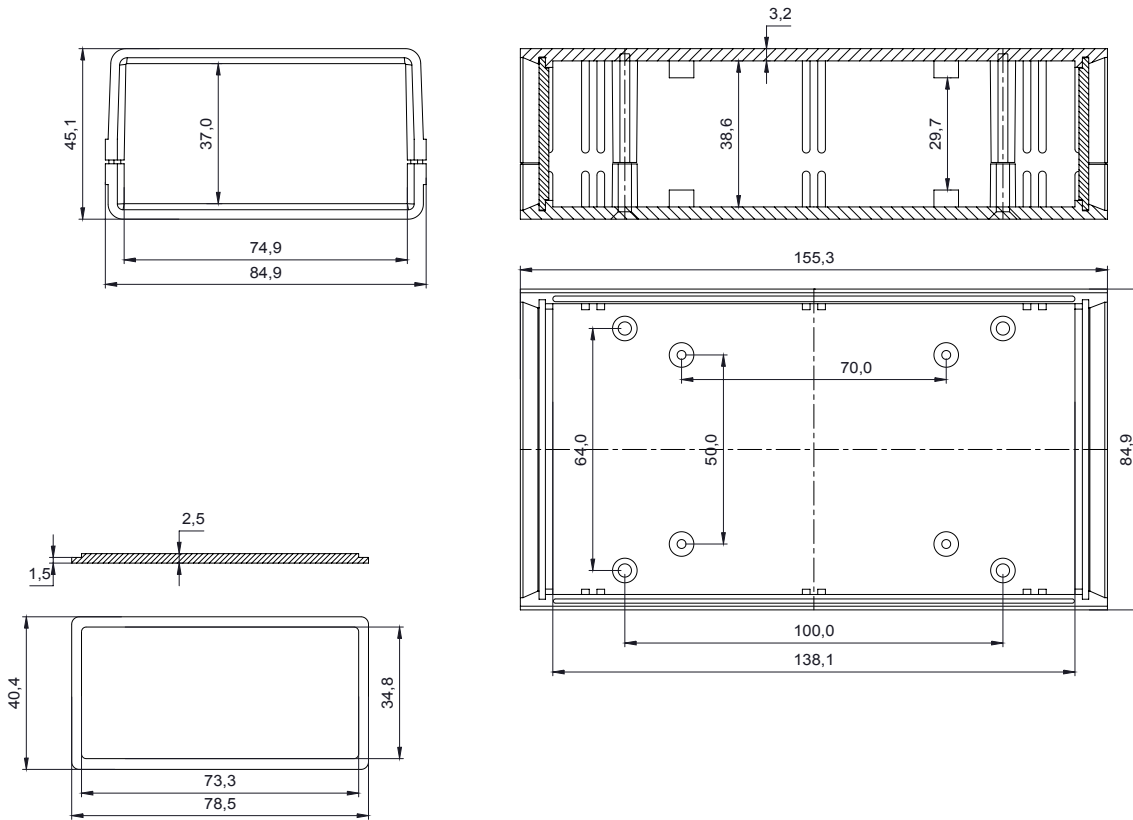
HH-8080 Panel



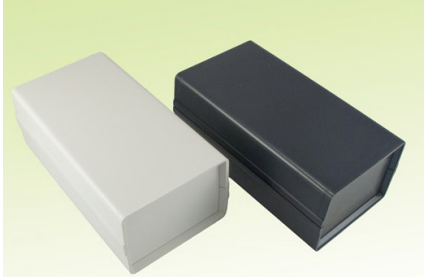
HH-8082

HH-8082	
Dimensions (mm)	85 x 155 x 45
Material	ABS
Colours	Light Grey or Black

DRAWING 1



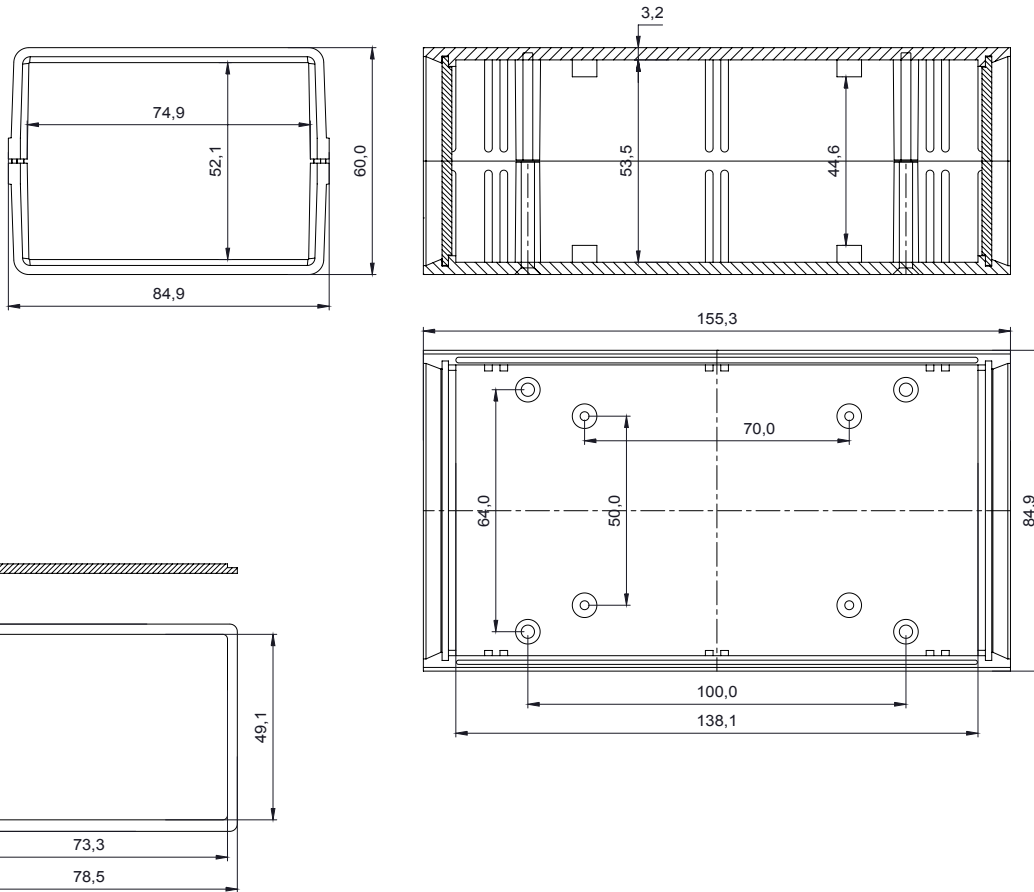
HH-8082 Panel



HH-8282

HH-8282	
Dimensions (mm)	85 x 155 x 60
Material	ABS
Colours	Light Grey or Black

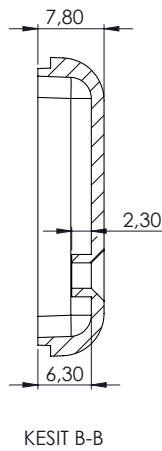
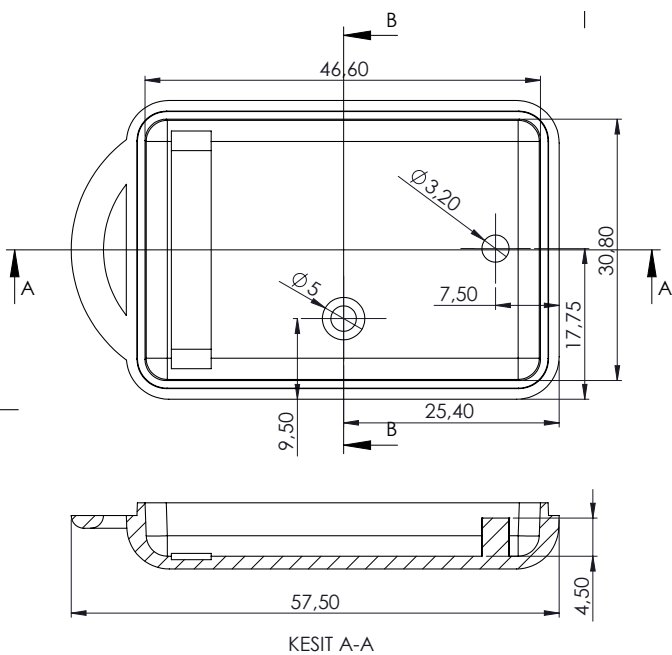
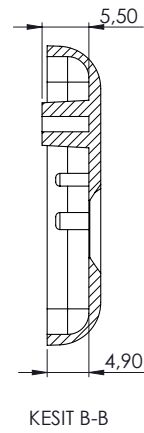
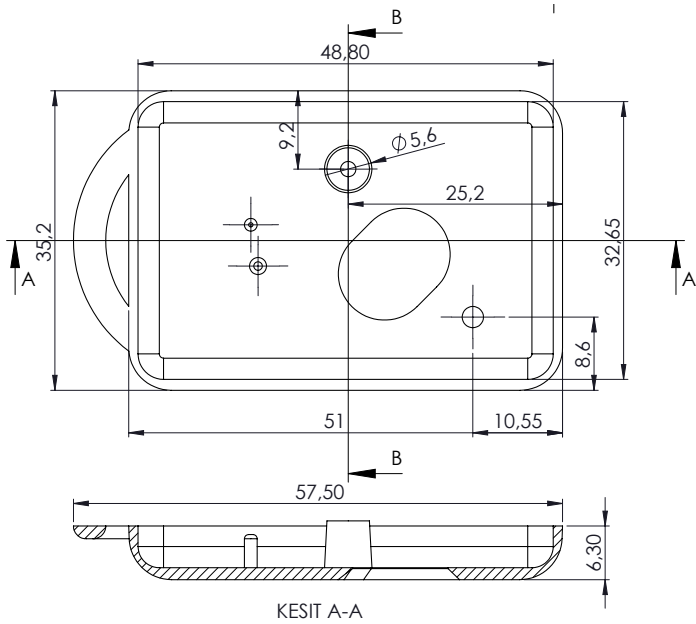
DRAWING 1



HH-8282 Panel

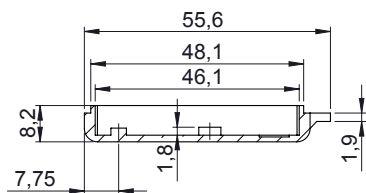
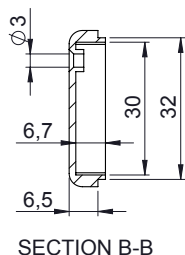
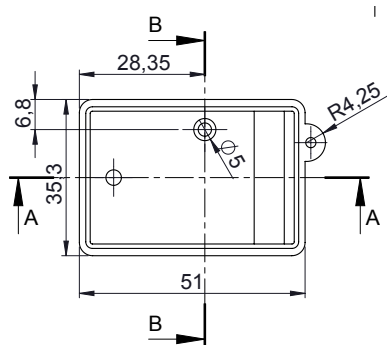


RC-010	
Dimensions (mm)	35 x 50 x 13 mm
Material	ABS
Colours	Black

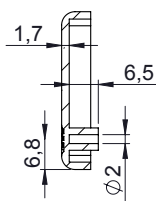
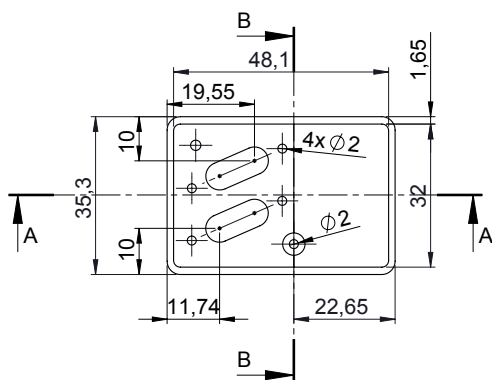
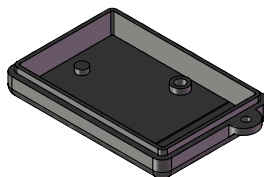




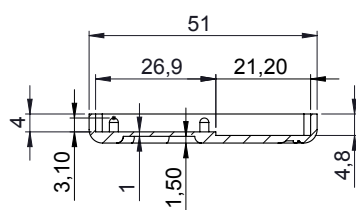
RC-020	
Dimensions (mm)	35 x 50 x 13 mm
Material	ABS
Colours	Black



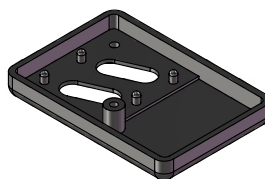
SECTION A-A



SECTION B-B

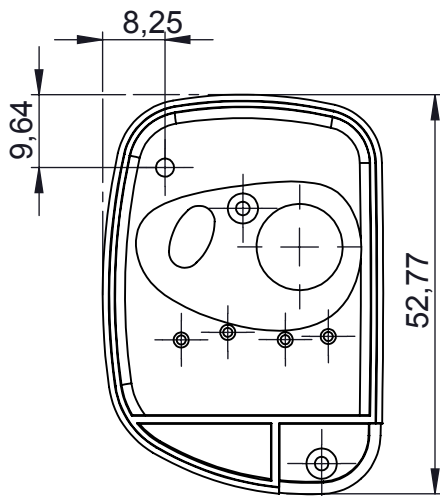


SECTION A-A

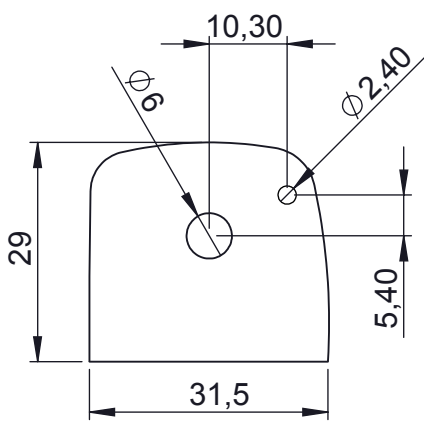




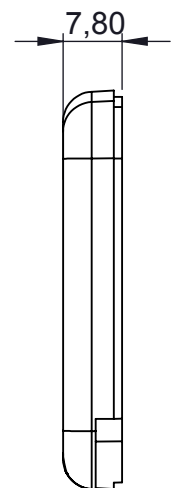
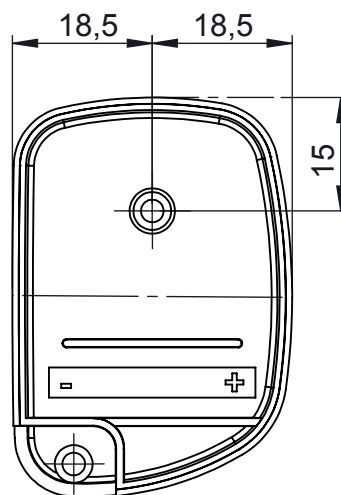
RC-030	
Dimensions (mm)	35 x 50 x 13 mm
Material	ABS
Colours	Black



COVER



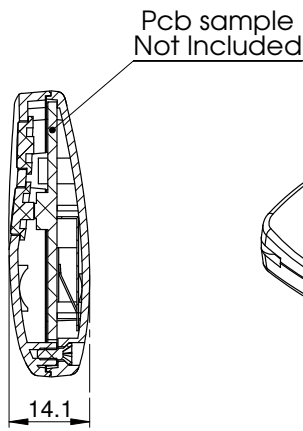
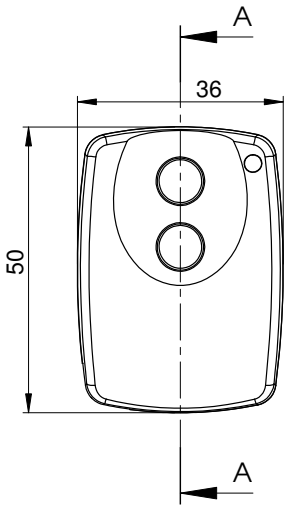
PCB SAMPLE



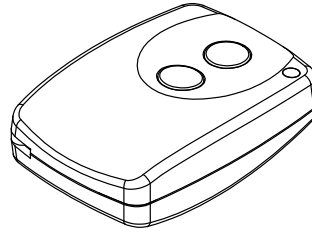
BASE



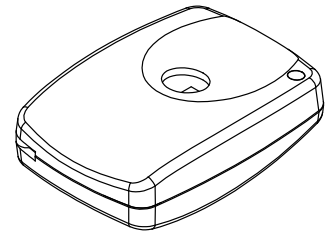
RC-040	
Dimensions (mm)	35 x 50 x 13 mm
Material	ABS
Colours	Black



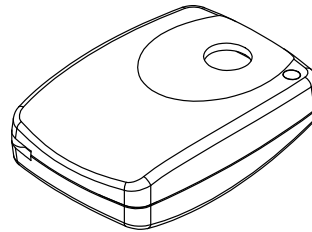
KESIT A-A



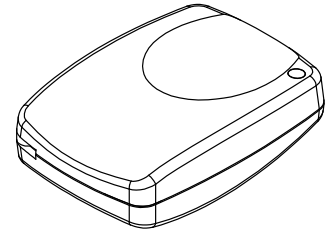
Option 1



Option 2



Option 3



Option 4